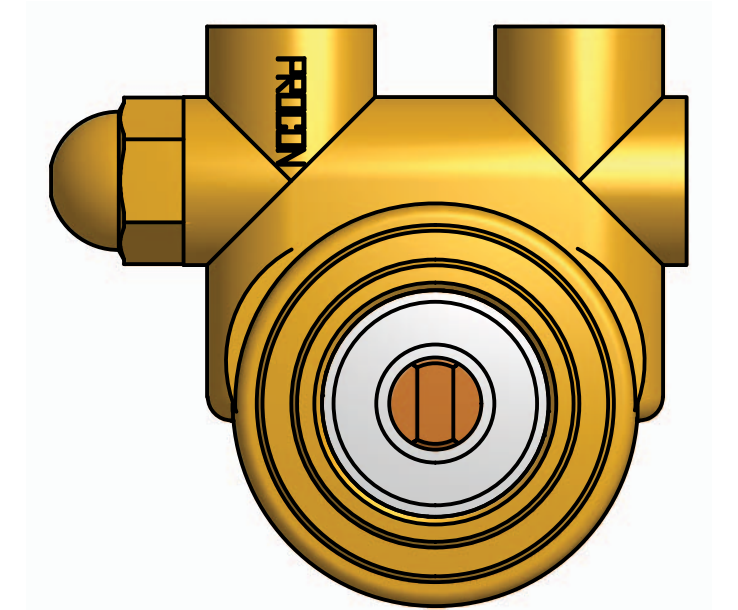
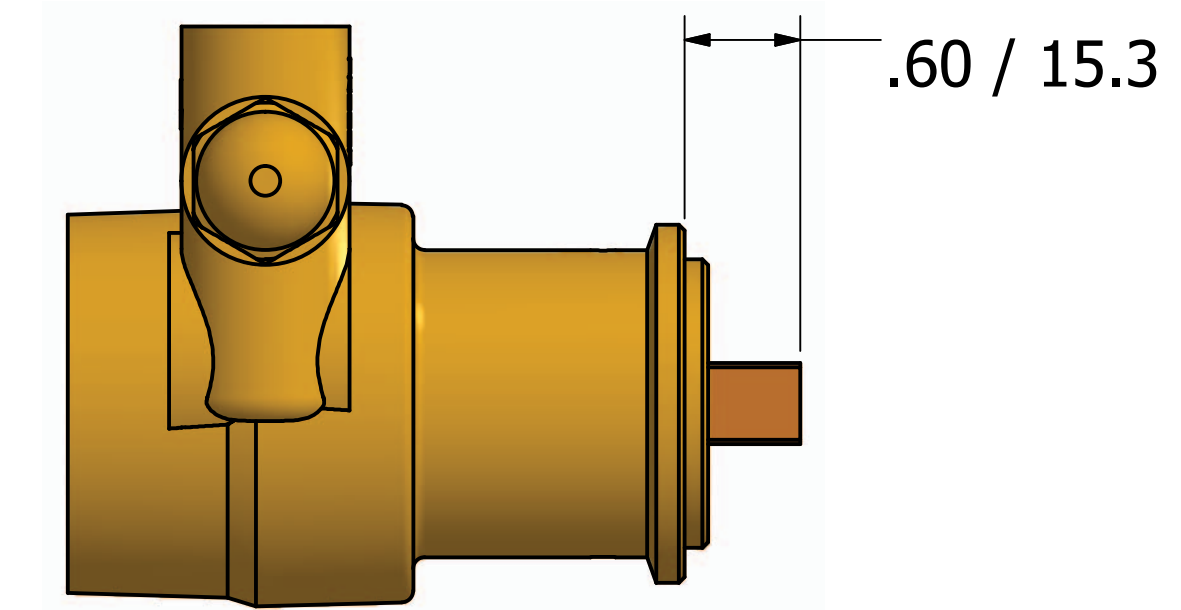
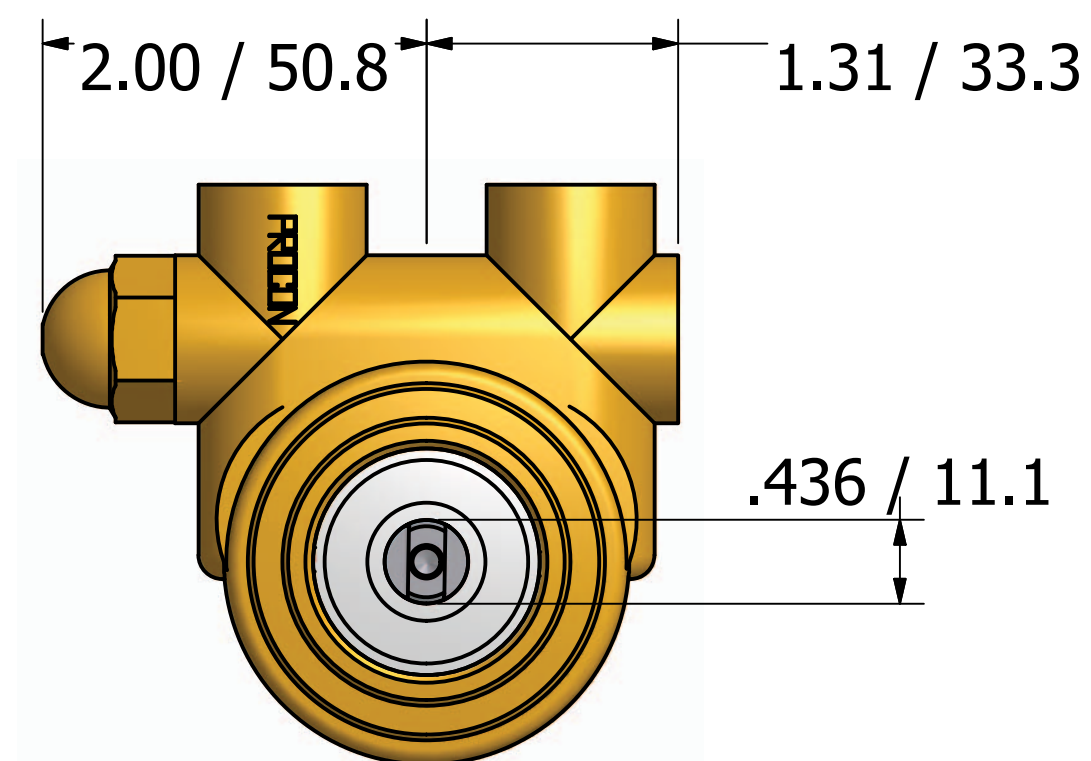
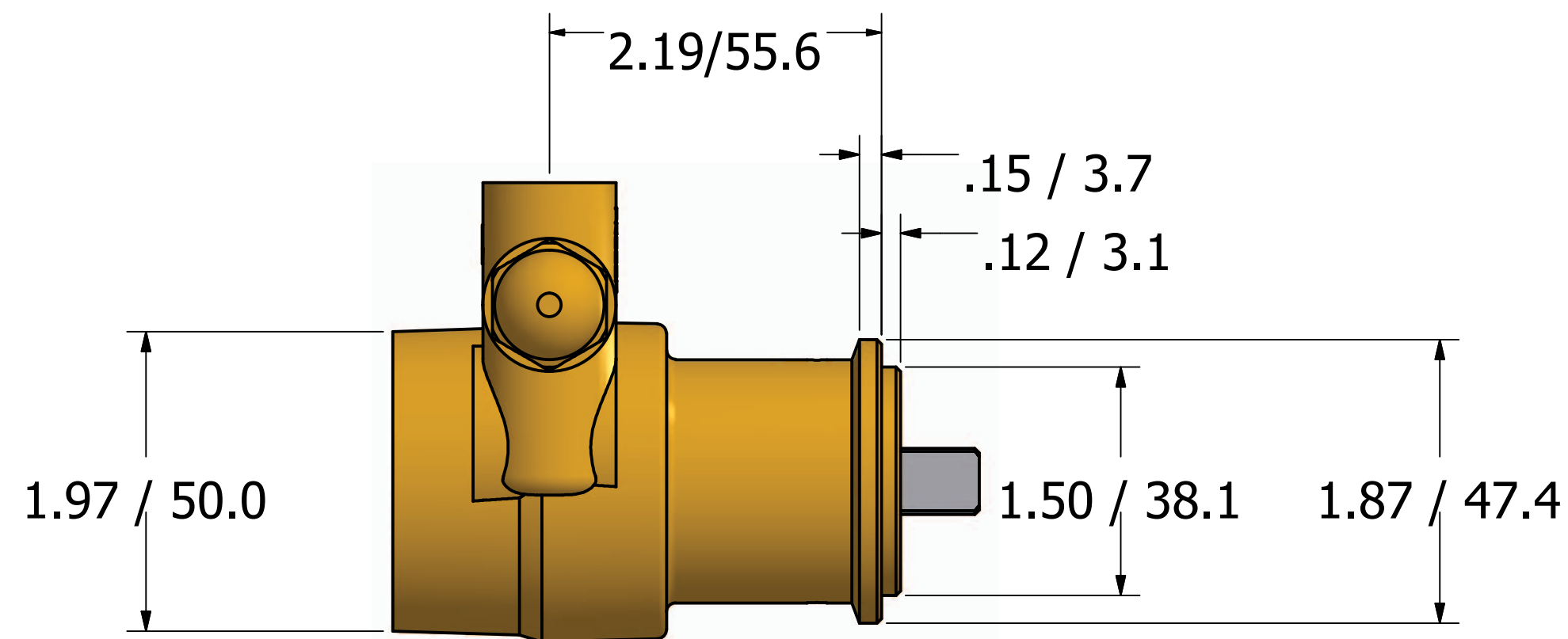
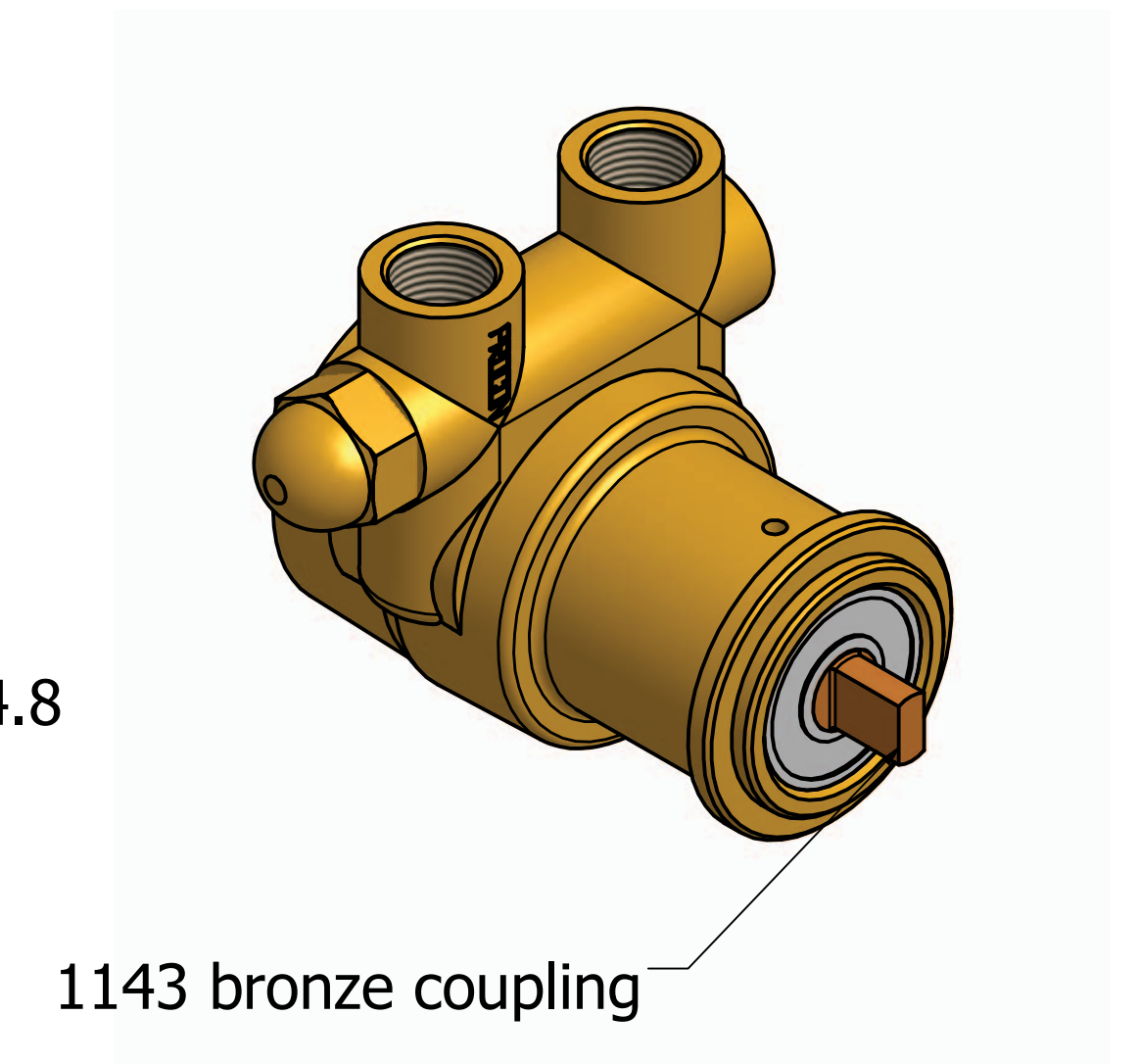
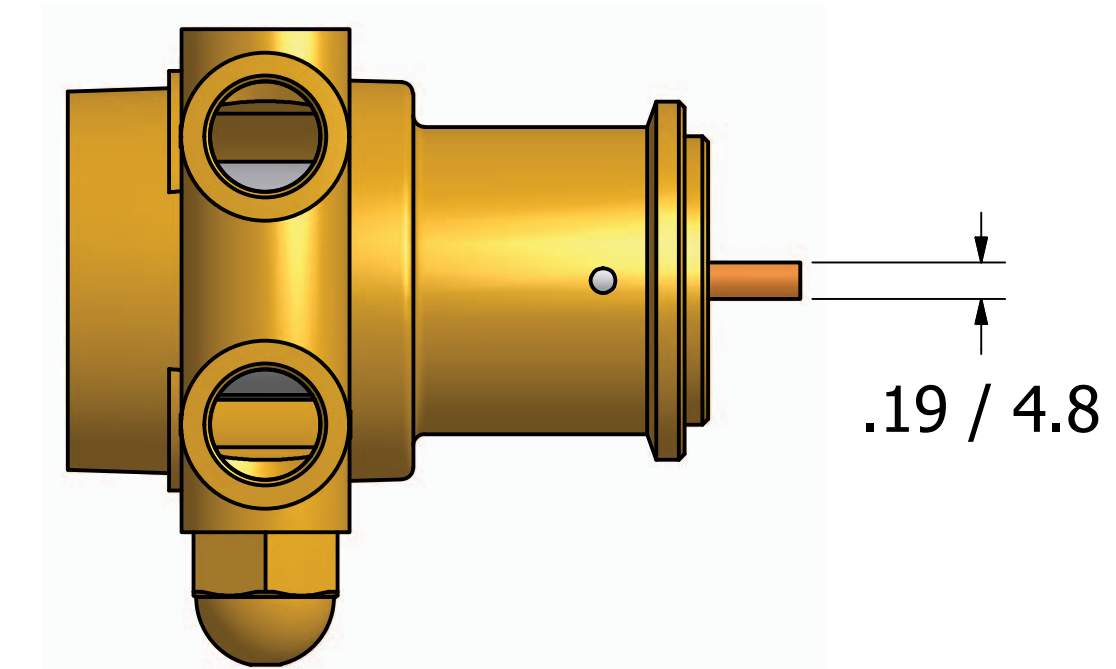
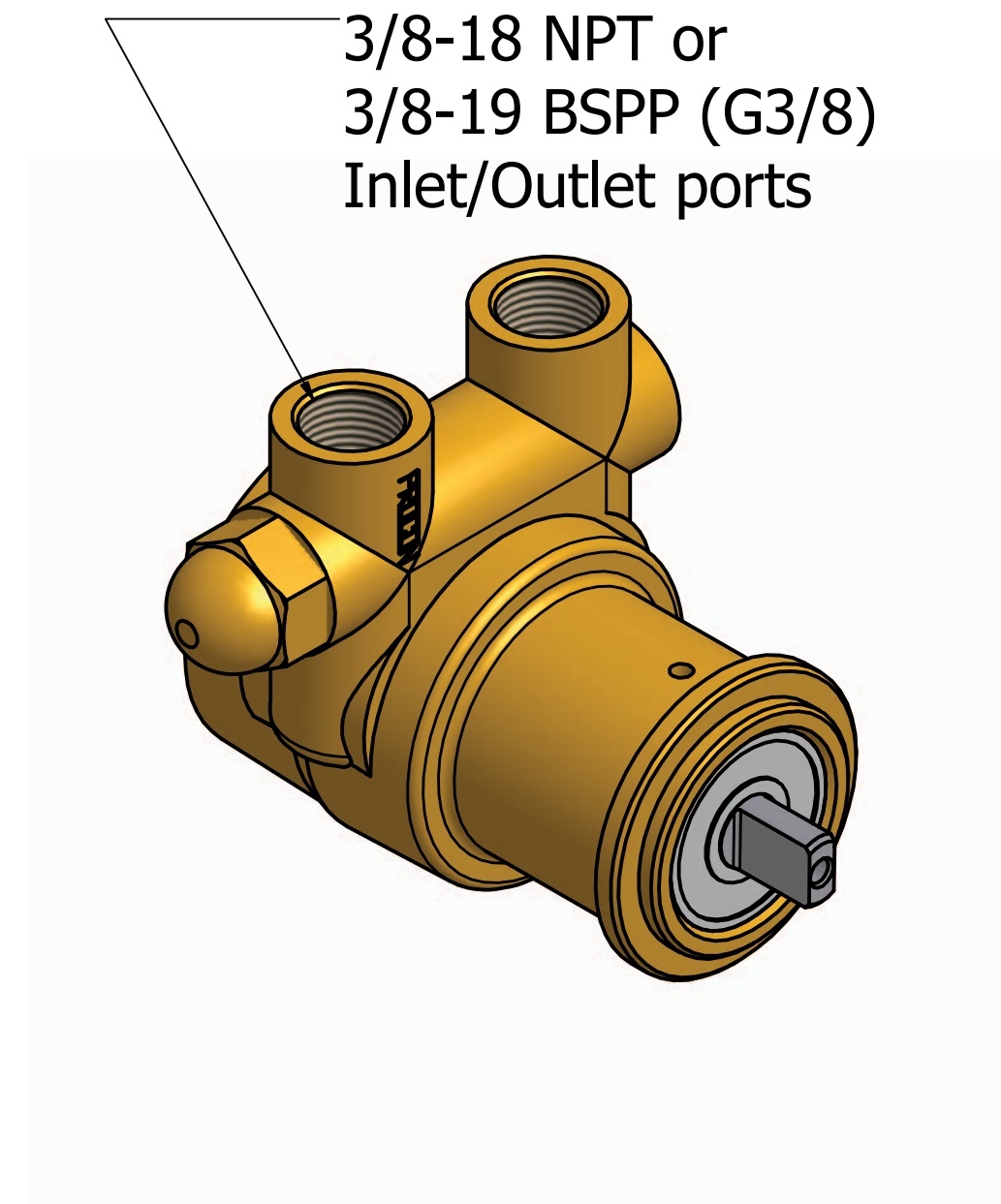
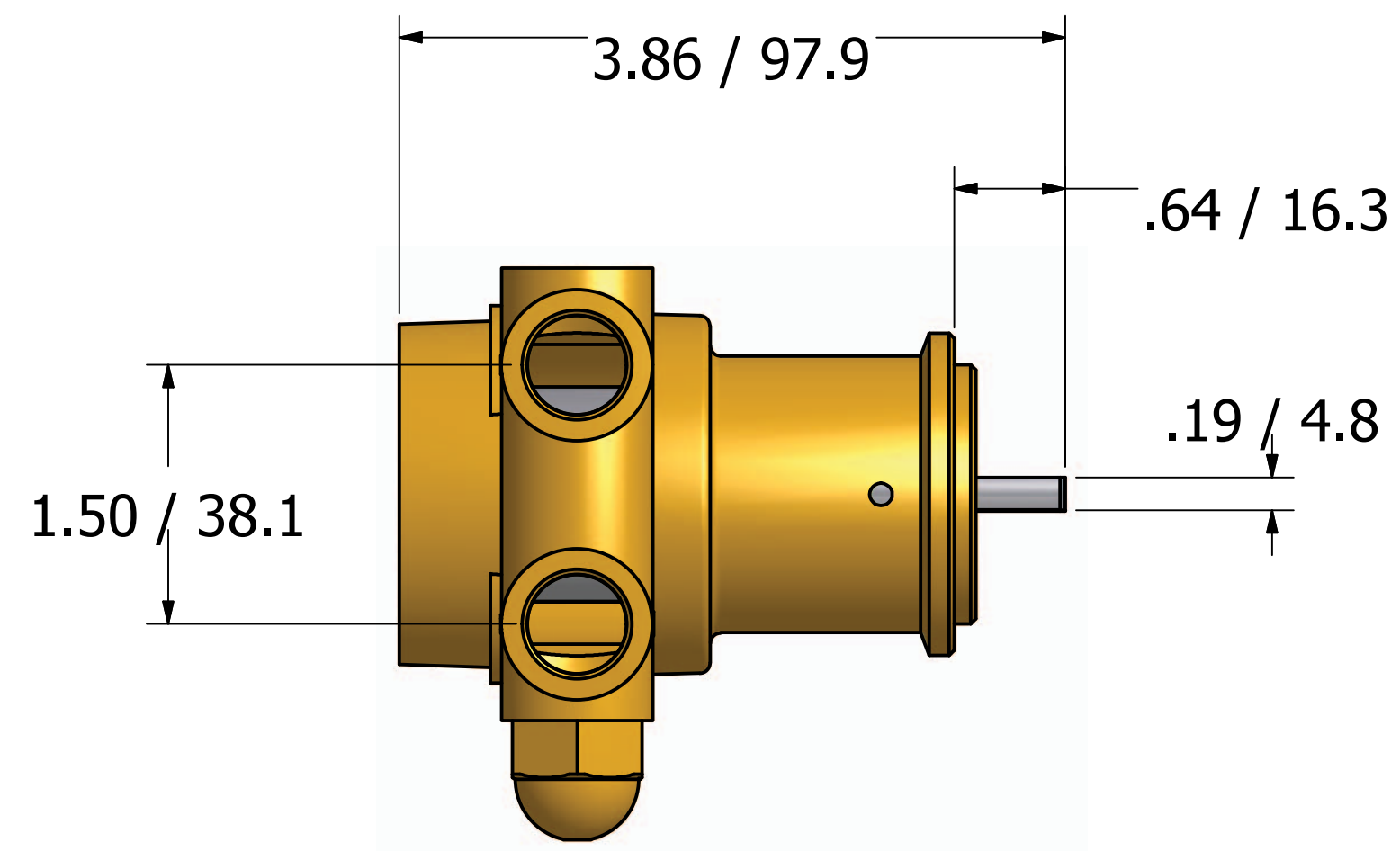


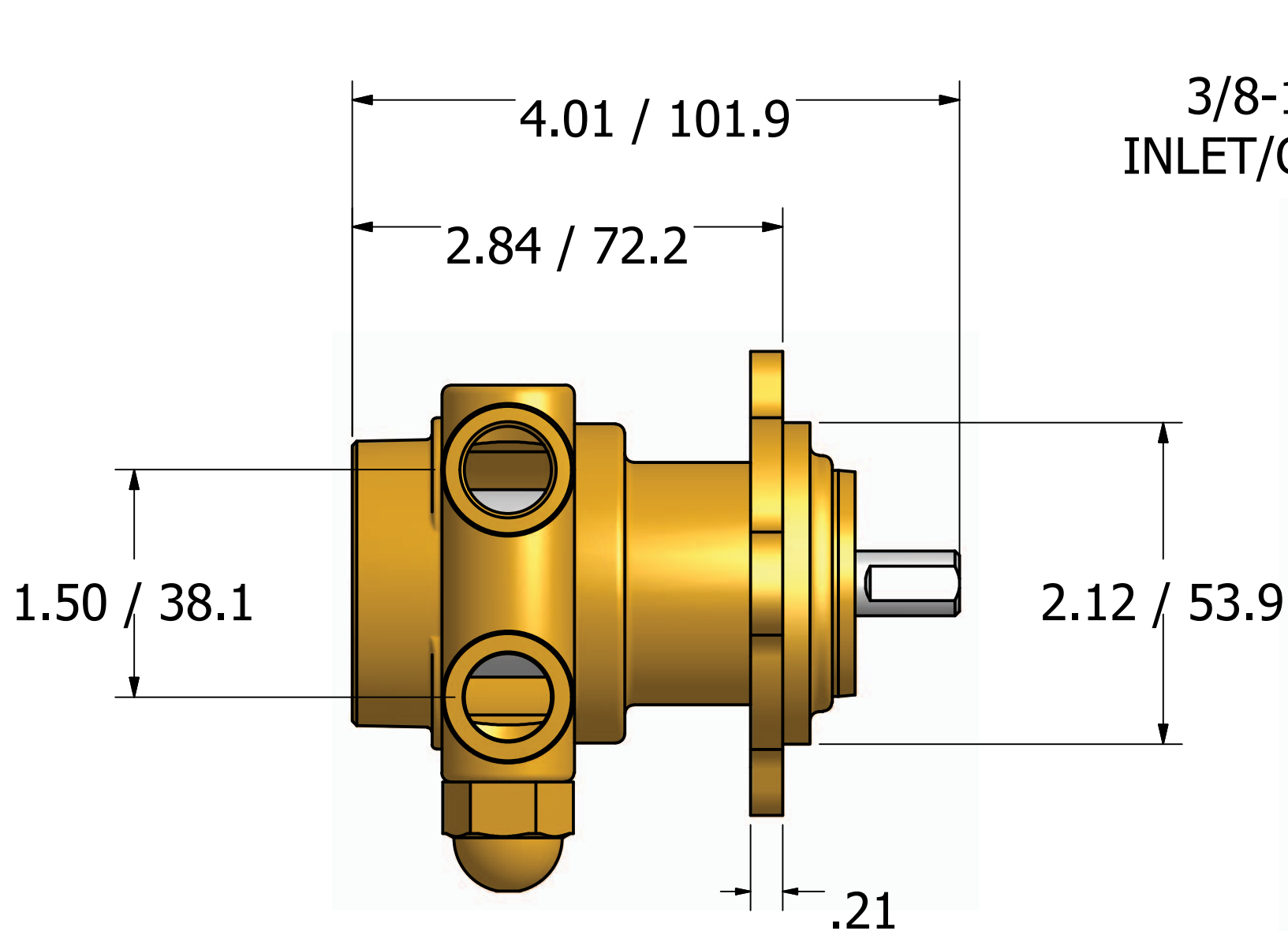
Series 2 - Rotary Vane Pumps Clamp-On Style



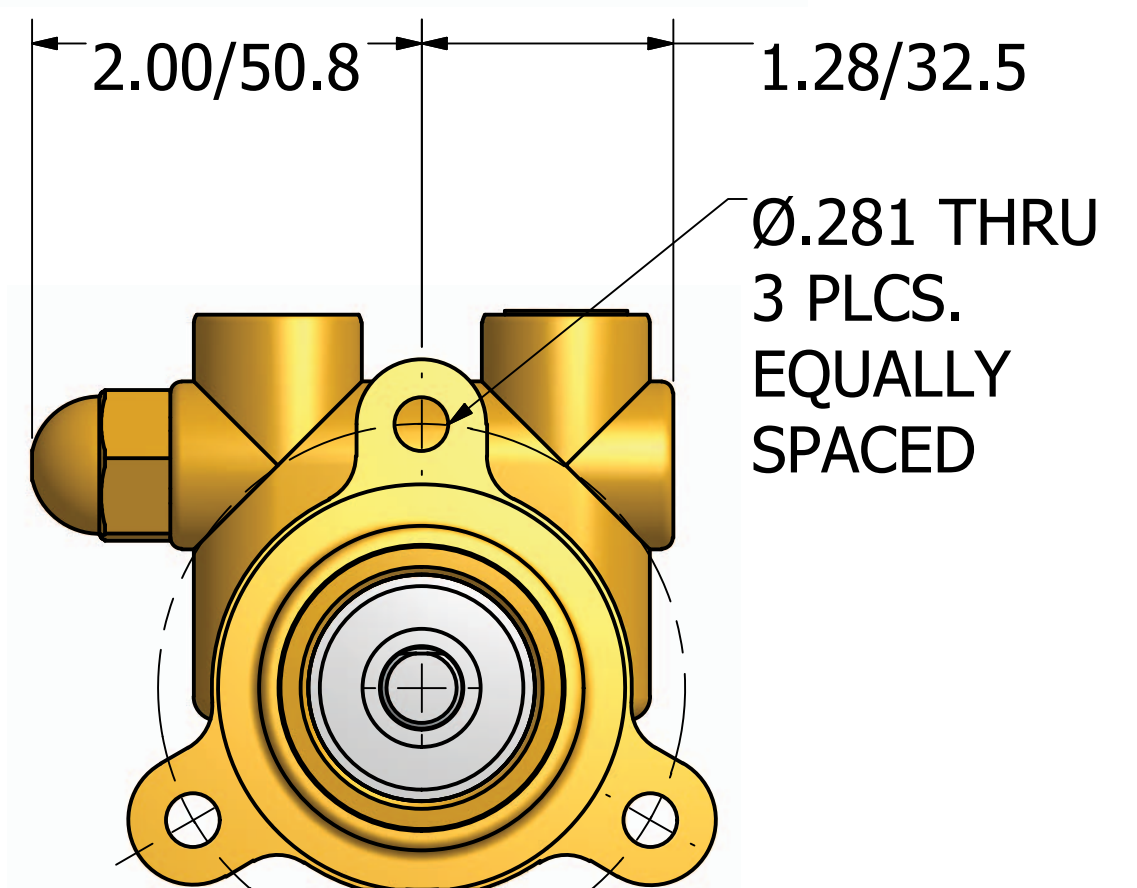
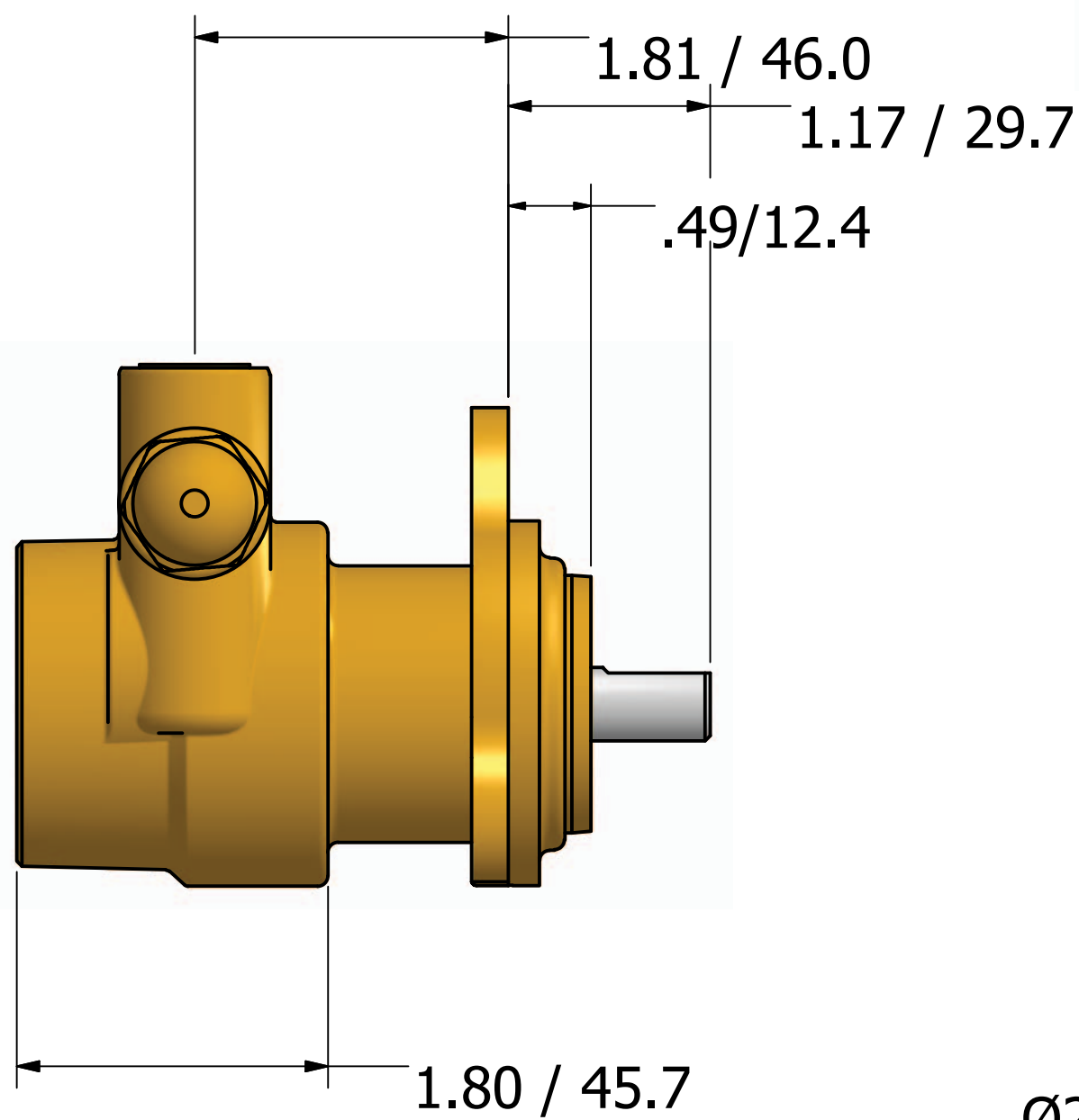
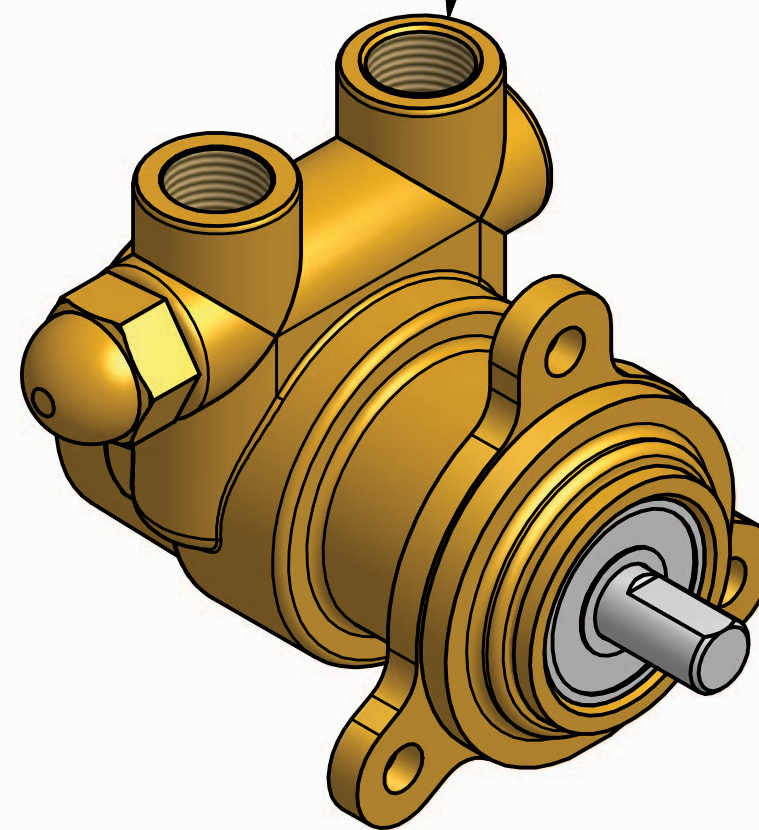
"A" Mounting

"B" Mounting with 1143 Bronze coupling

Series 2 - Rotary Vane Pump Bolt-On Style



3/8-18 NPT OR
3/8-19 BSPP (G3/8)
INLET/OUTLET PORTS



Ø2.75/69.9 B.C.

Distributed By:

**APPLIED
MEMBRANES INC.®**

Industry Leader in RO Expertise and Membrane Applications since 1983™

2450 Business Park Dr., Vista, CA 92081 ☎ (760) 727-3711 📠 (760) 727-4427
www.appliedmembranes.com ✉ sales@appliedmembranes.com

PROCON®
Products