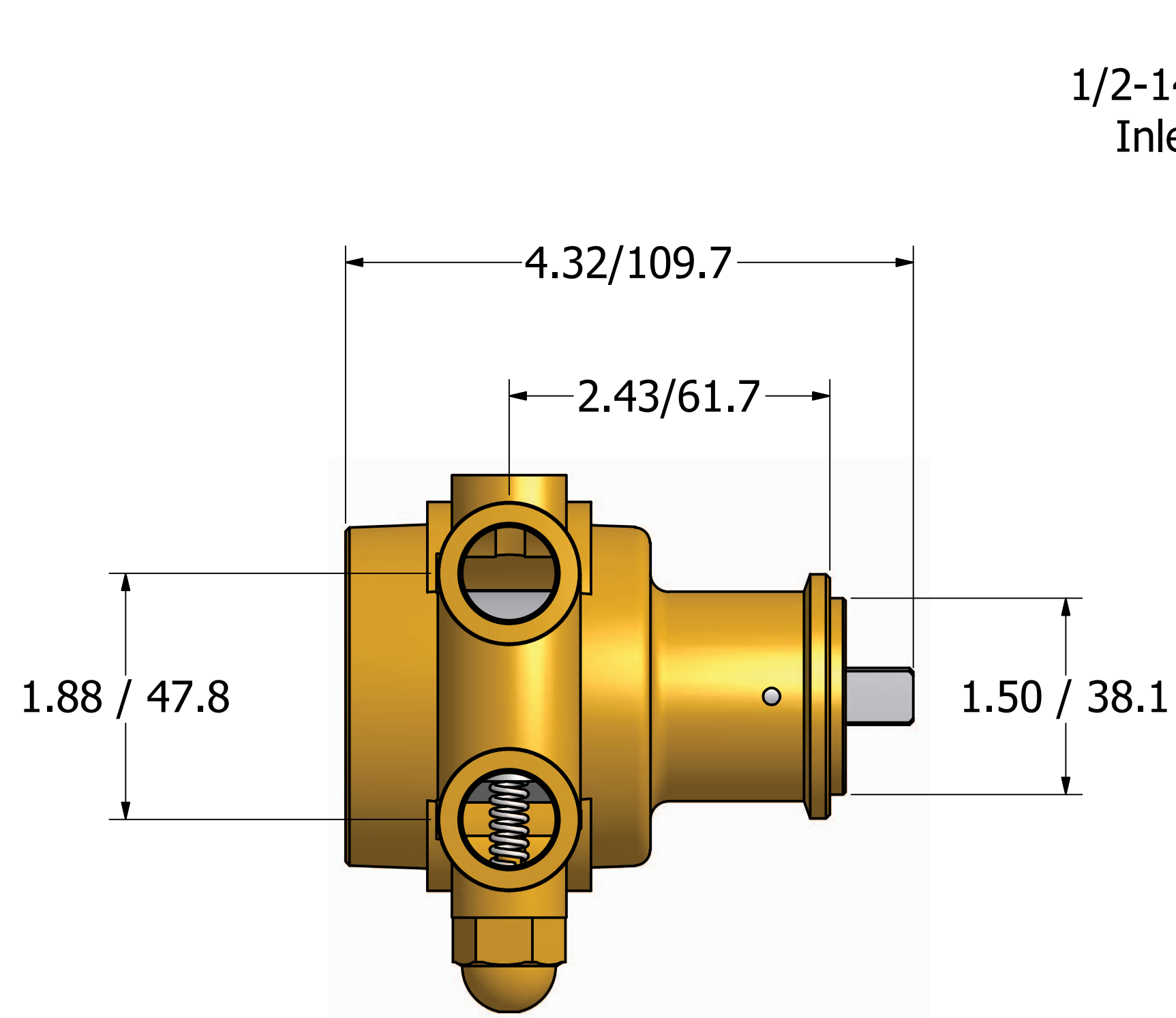
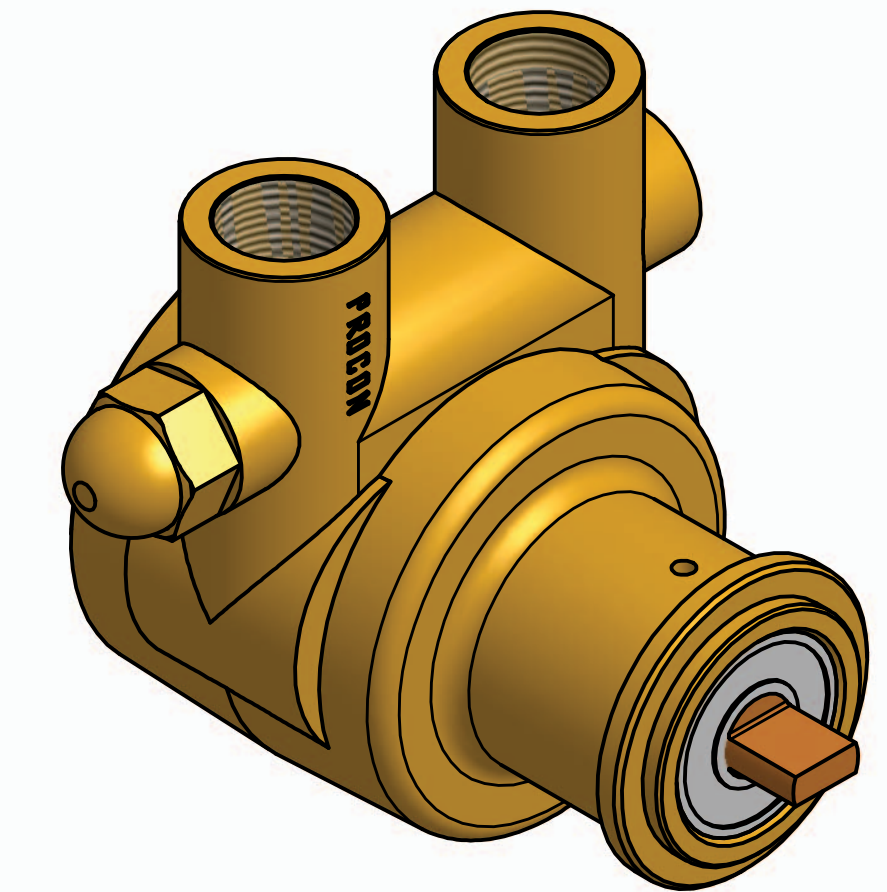
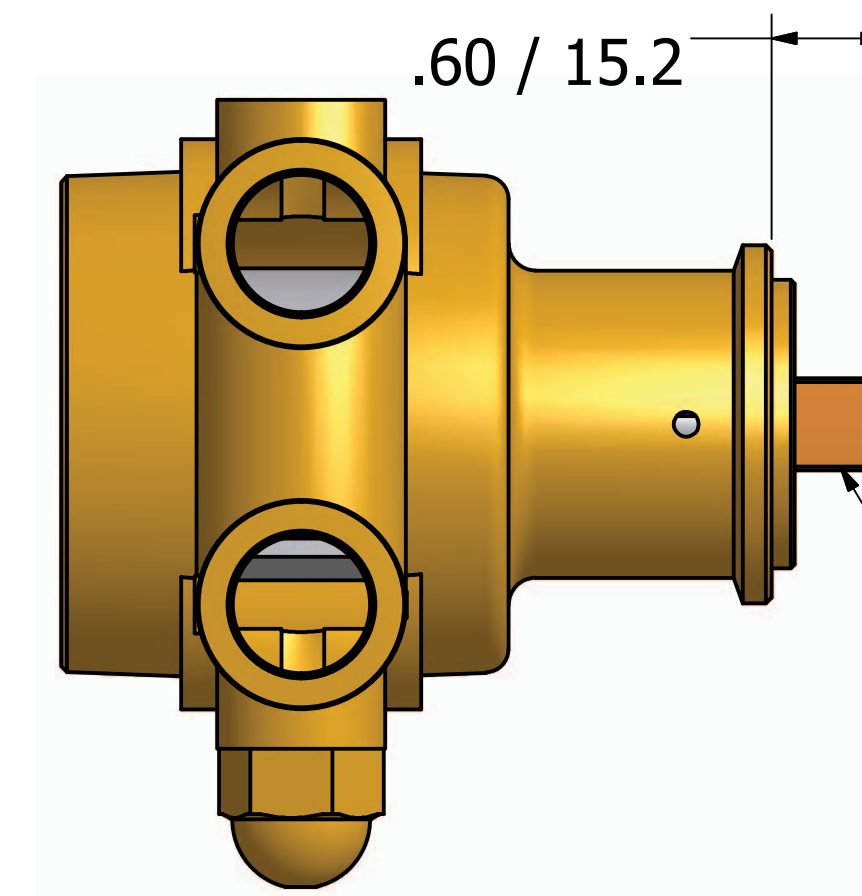
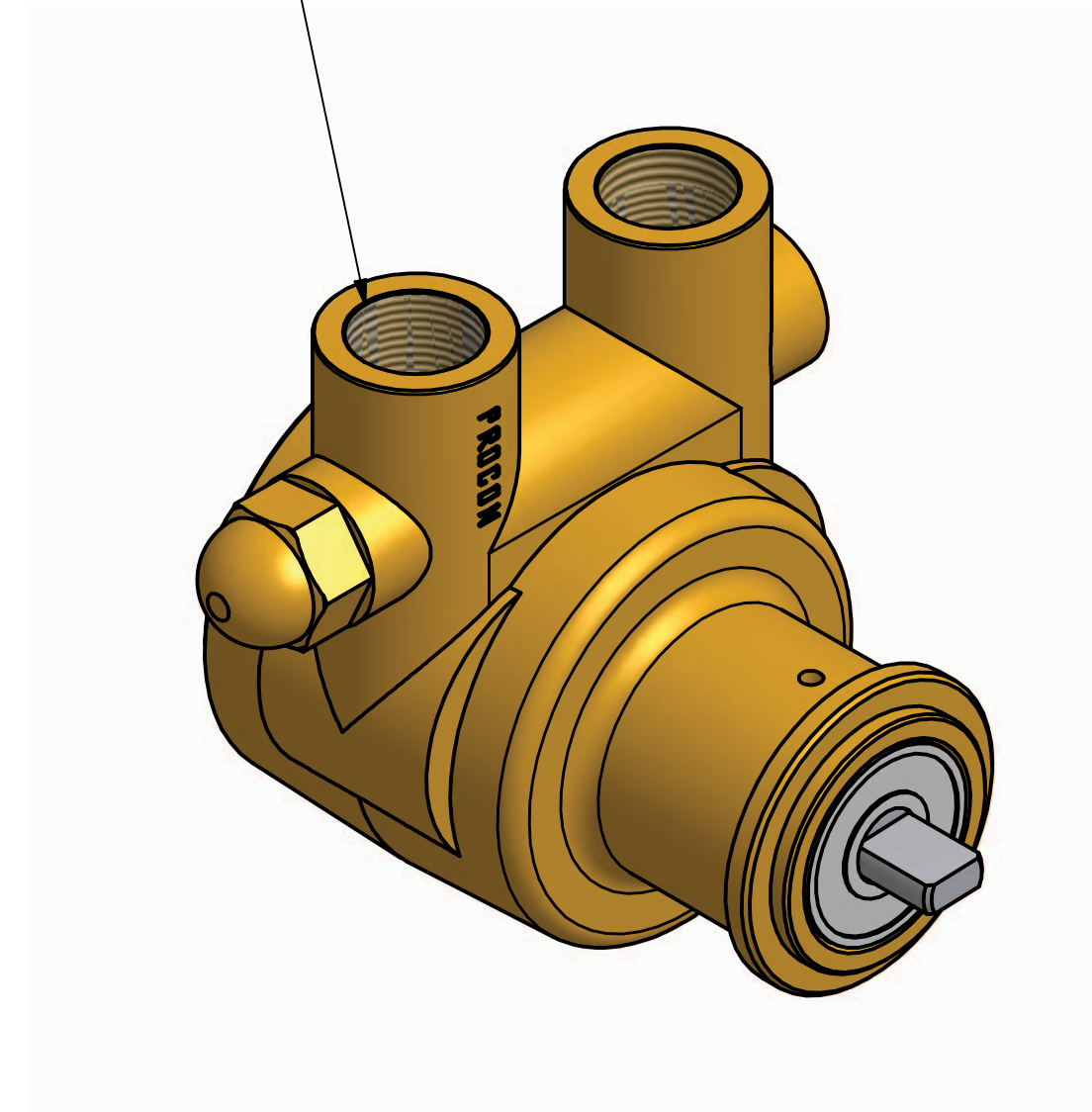


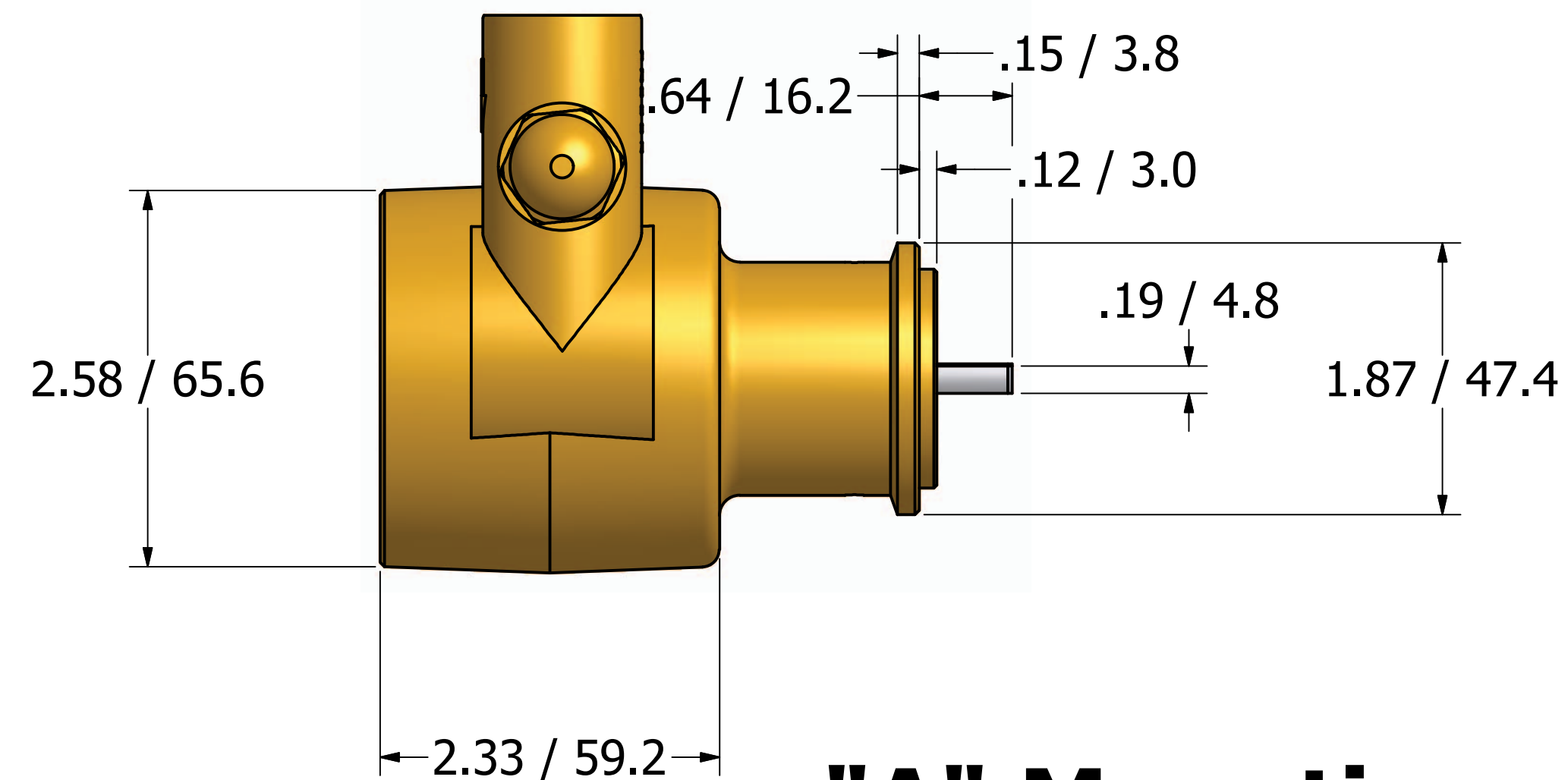
# Series 4 - Rotary Vane Pump Clamp-On Style



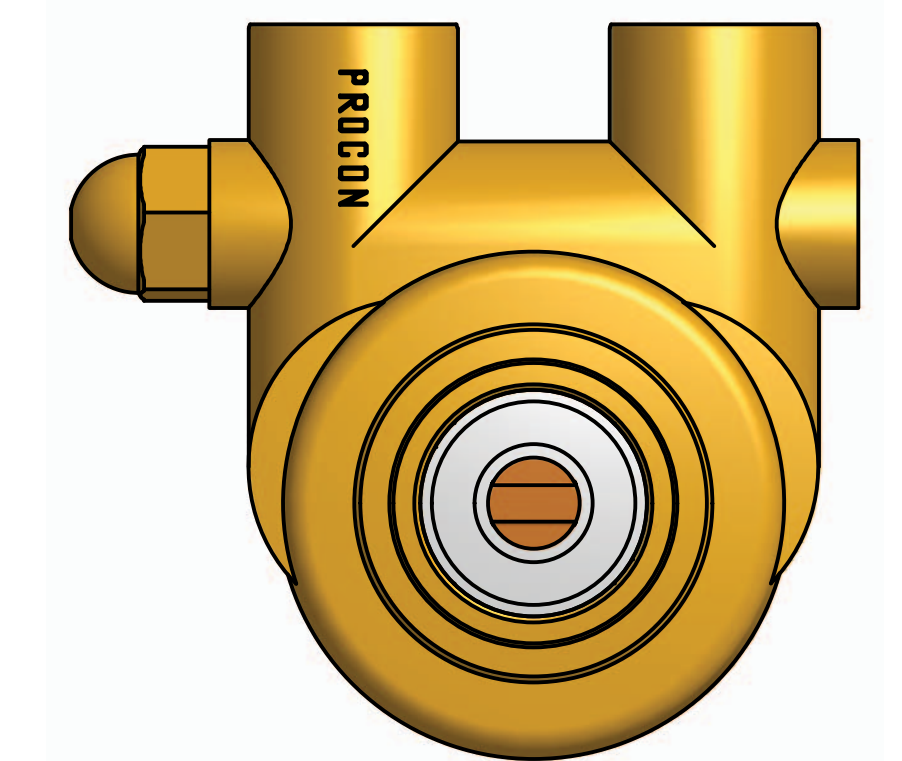
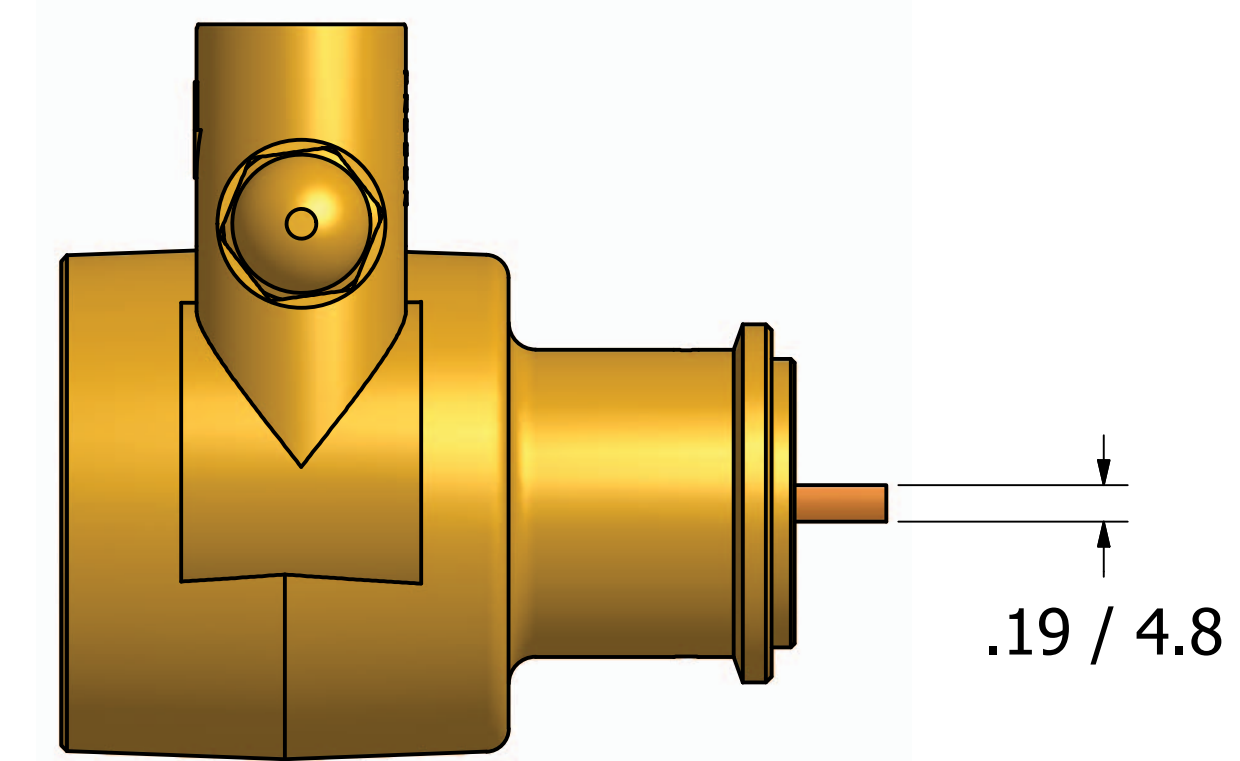
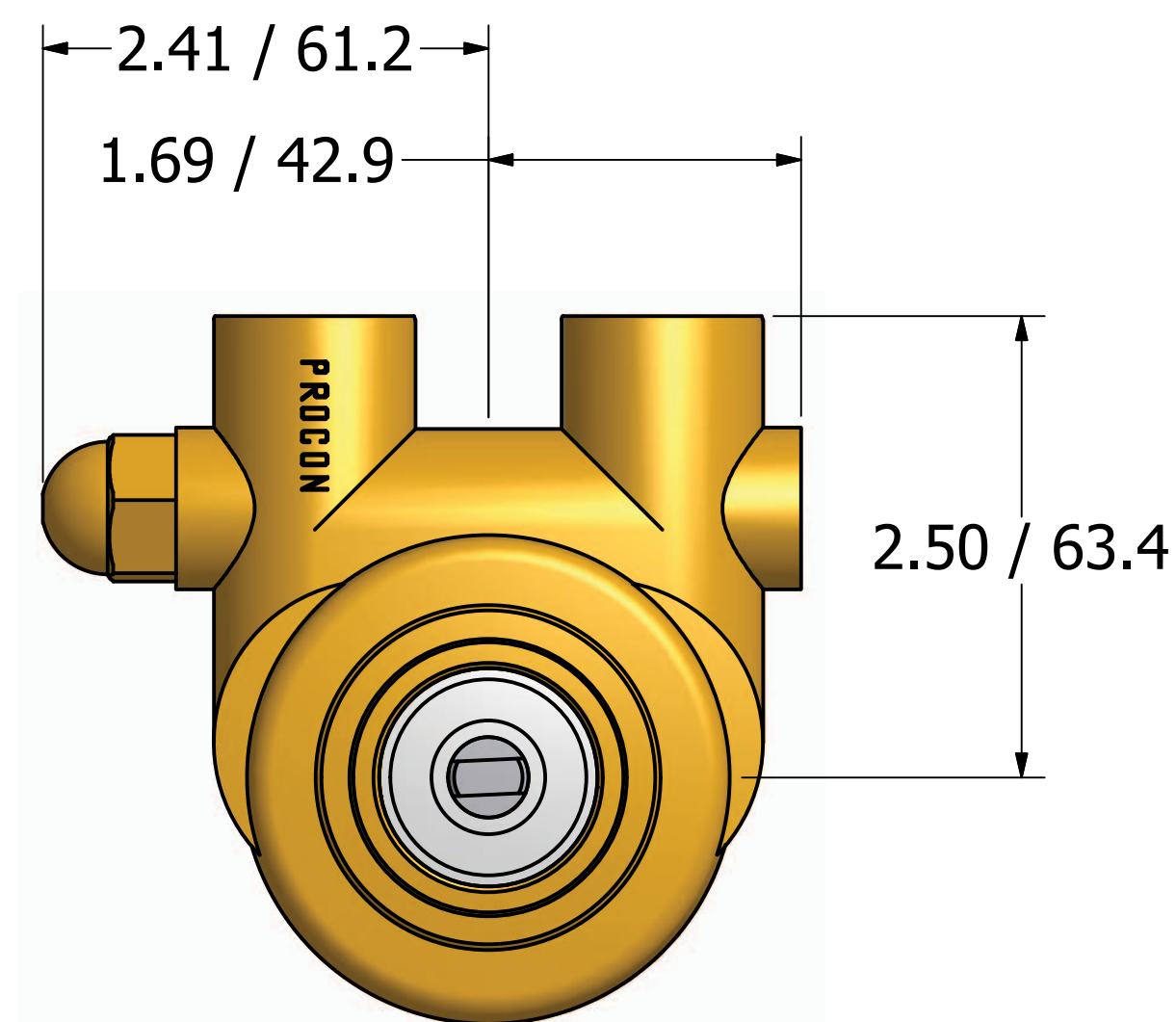
1/2-14 NPT or  
1/2-14 BSPP (G1/2)  
Inlet/Outlet Ports



1143 Bronze coupling

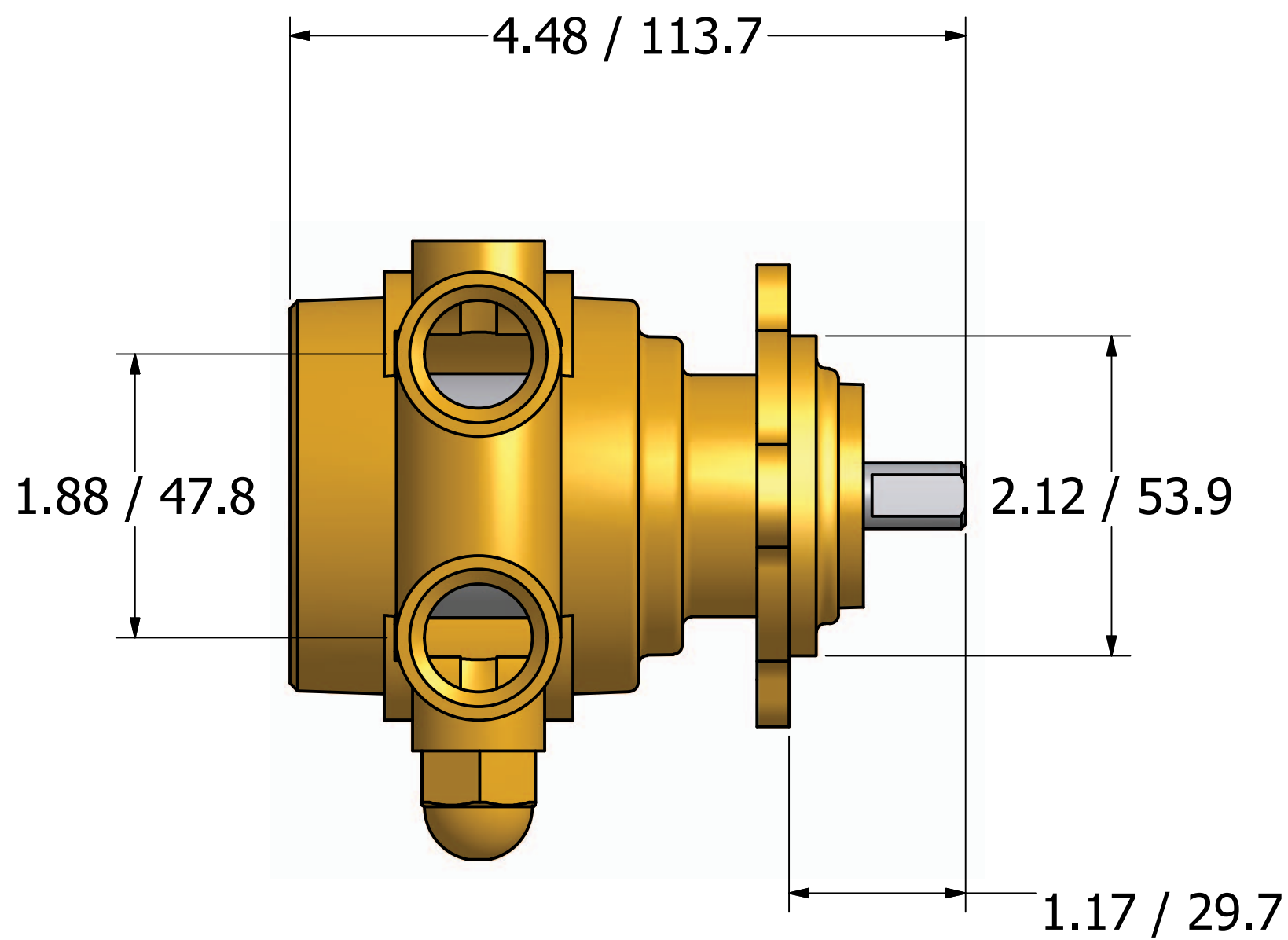


**"A" Mounting**

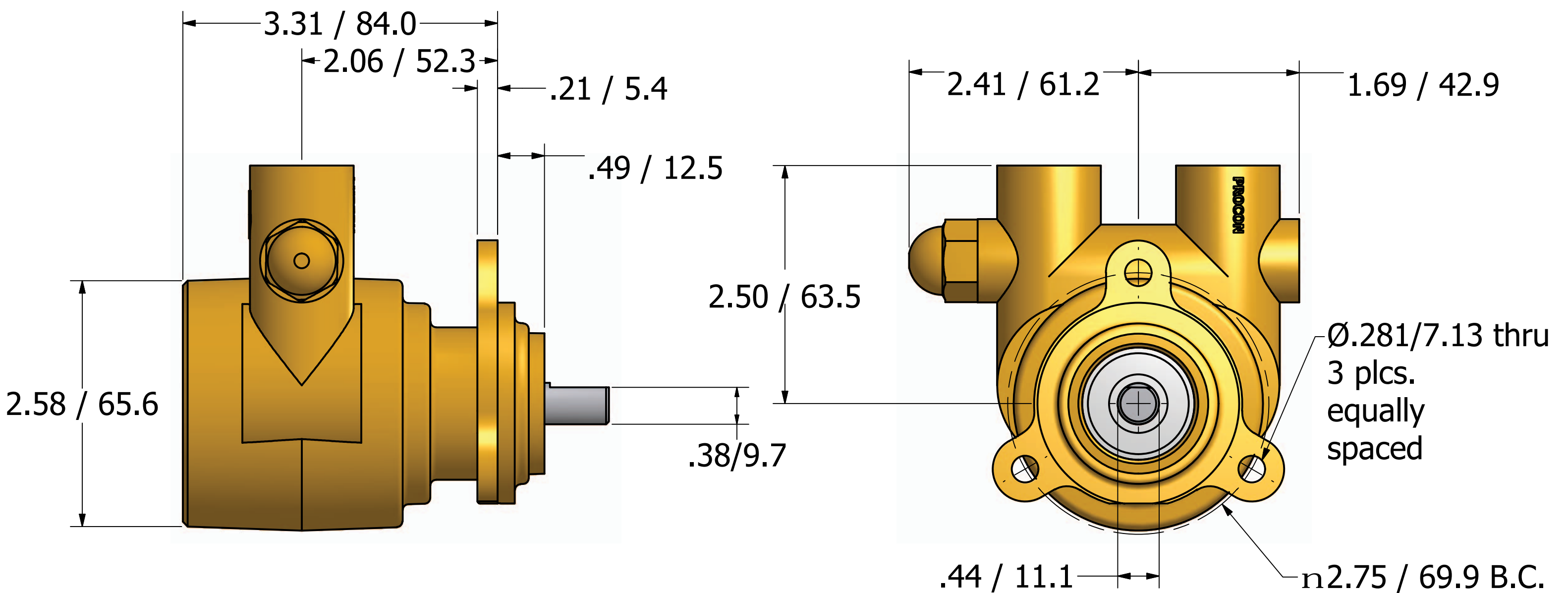
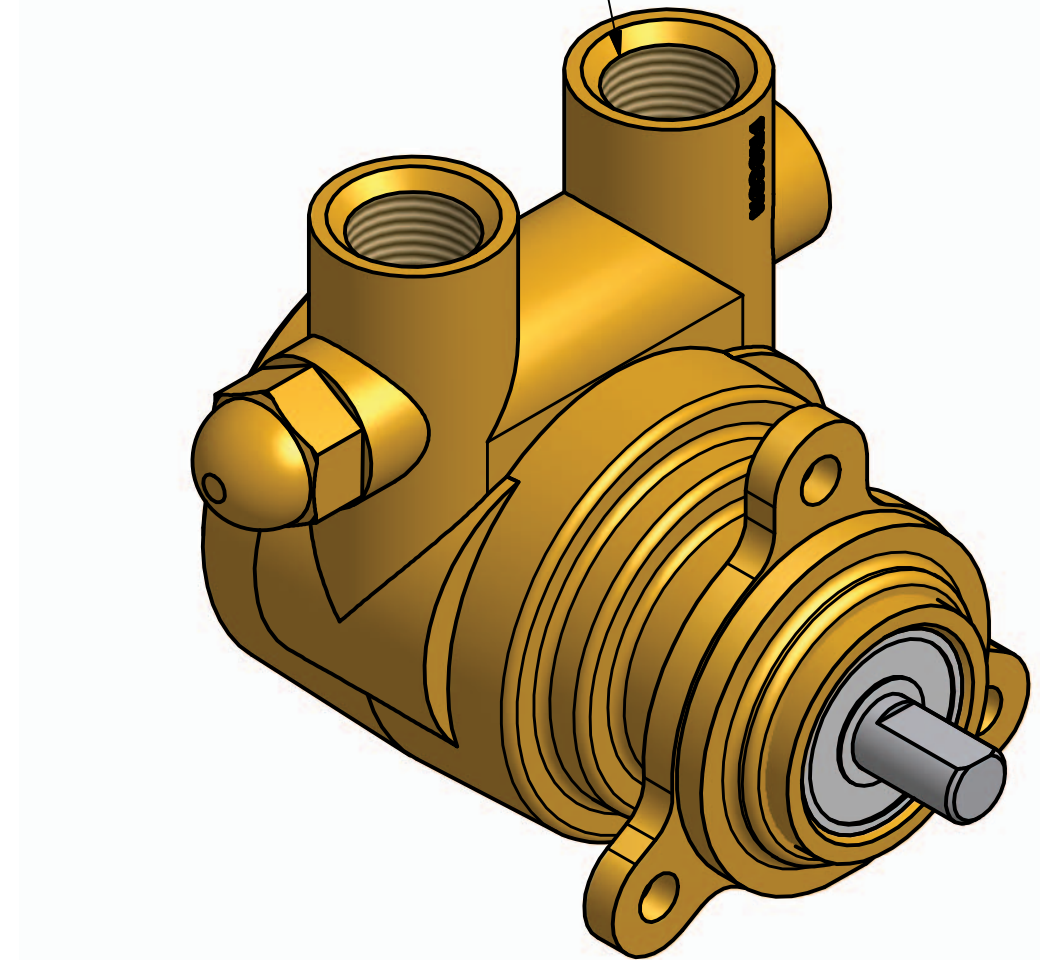


**"B" Mounting with  
1143 Bronze Coupling**

# Series 4 - Rotary Vane Pump Bolt-On Style



1/2-14 NPT or  
1/2-14 BSPP (G1/2)  
Inlet/Outlet ports



## "E" Mounting

Distributed By:

**APPLIED  
MEMBRANES INC.®**

Industry Leader in RO Expertise and Membrane Applications since 1983™

2450 Business Park Dr., Vista, CA 92081 ☎ (760) 727-3711 📠 (760) 727-4427

🌐 www.appliedmembranes.com ✉ sales@appliedmembranes.com

**PROCON®**  
Products