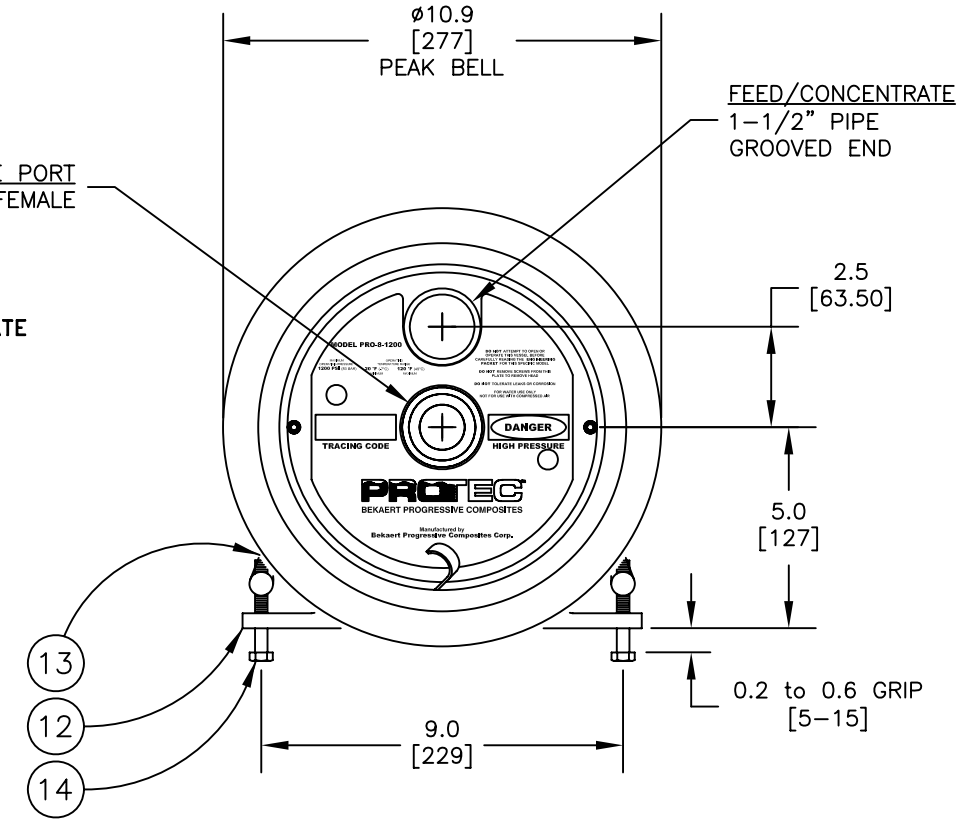
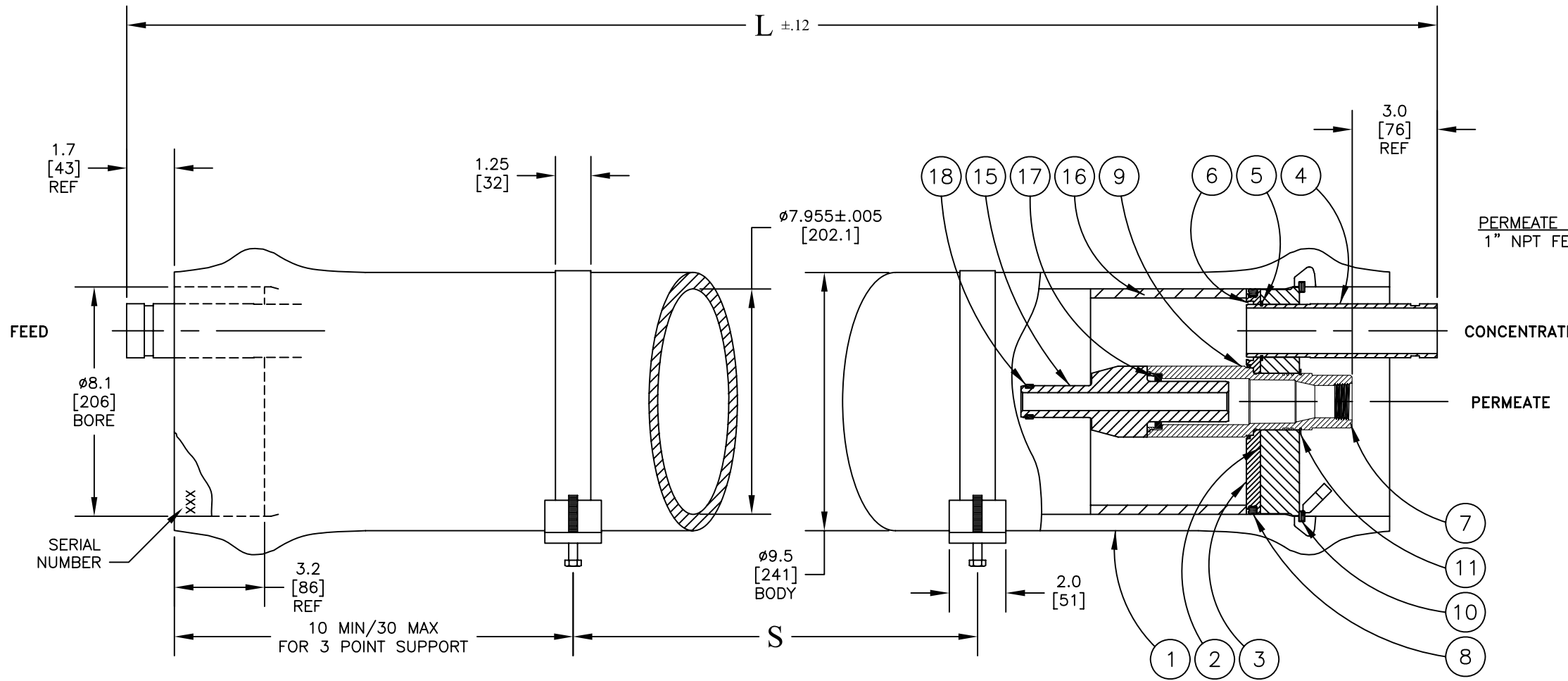


**1200 PSI
END PORT**



Shell Length Code	L inch (mm)	S Span in (mm)	Empty Weight lb (kg)
-1	65 [1651.00]	34 [863.60]	135 [61]
-1.5	85 [2159.00]	45 [1143.00]	164 [75]
-2	105 [2667.00]	56 [1422.40]	192 [87]
-3	145 [3683.00]	80 [2032.00]	249 [113]
-4	185 [4699.00]	104 [2641.60]	306 [139]
-5	225 [5715.00]	128 [3251.20]	363 [165]
-6	265 [6731.00]	150 [3810.00]	420 [191]
-7	305 [7747.00]	3 PTS.	477 [217]
-7.5	325 [8255.00]	3 PTS.	506 [230]
-8	345 [8763.00]	3 PTS.	534 [243]

ITEM	QTY	P/N	DESCRIPTION	MATERIAL
1	1	4080006	Shell	Filament Wound, Epoxy FRP
2	2	4080033	Bearing Plate	6061-T6 Aluminum, SB-221, Anodized
3	2	4080065-1	Sealing Plate	PVC Thermoplastic
4	2	4080231	Feed/Concentrate Port	SST Super Duplex, SA-790
5	2	6121187	Retaining Ring, F/C Port	Stainless Steel, 316
6	2	6110225-N	Seal, F/C Port	Ethylene Propylene
7	2	4080378	Permeate Port	Noryl GFN2
8	2	6100442MK	Head Seal	Ethylene Propylene
9	2	6110229-N	Permeate Port Seal	Ethylene Propylene
10	2	4080320	Retaining Ring w/ Finger Pull	Stainless Steel, 316
11	2	6121200	Retaining Ring, Permeate Port	Stainless Steel, 300 Series
12	2*	4080175	Support Saddle	TPR
13	2	4080137	Strap Assembly	Stainless Steel, 300 Series
14	4	6150001	Strap Screw	Stainless Steel, 300 Series
15	2	A/R	Adapter	Thermoplastic
16	1	4080043	Thrust Ring	PVC Thermoplastic
17	2	6110326-N	Adapter Seal	Ethylene Propylene
18	A/R	A/R	PWT Seal	Ethylene Propylene

*3 each with shell length -7 and longer

NOTES:
DIMENSIONS IN INCHES (MM APPROX.)
FOR REFERENCE ONLY, NOT TO BE USED FOR CONSTRUCTION UNLESS CERTIFIED
CENTER VESSEL ON 2 OR 3 SUPPORTS AT SPAN(S) "S". 3 SUPPORTS REQUIRED FOR LENGTHS -7 AND OVER
INCORRECT MANIFOLDING WILL CAUSE SEVERE LOCAL STRESS AROUND PORT AND MAY RESULT IN LEAKS AND PREMATURE FAILURE. TAKE EVERY PRECAUTION LISTED IN THIS PACKET.
INTERNAL PERMEATE PRESSURE MUST NOT EXCEED 125 PSI.
ASME SECTION X, RP CODE STAMP OPTIONAL
SPECIFICATIONS SUBJECT TO CHANGE WITHOUT NOTICE

PROTEC™
BEKAERT PROGRESSIVE COMPOSITES

Vista, California, U.S.A.

PRO 8-1200-EP

ENGR IR 11/17/06				
QLTY				
MRKT	ECO 09200	REVISED 07/14/09	DRAWING 101012	REV G