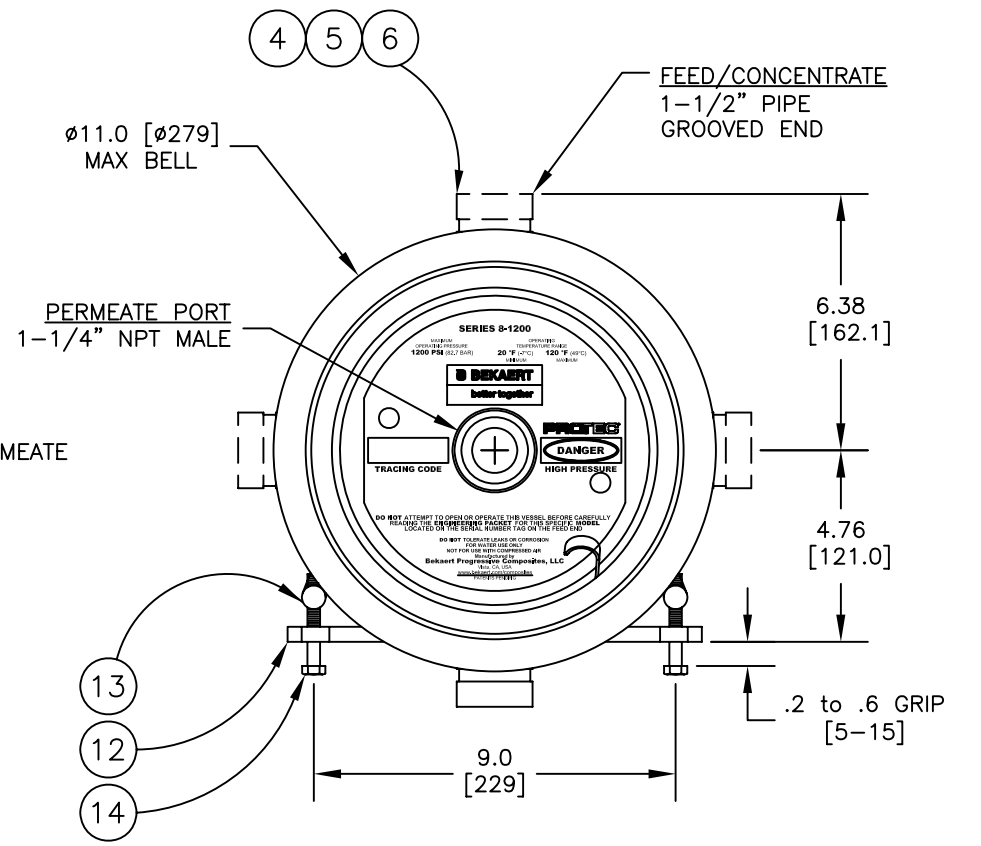
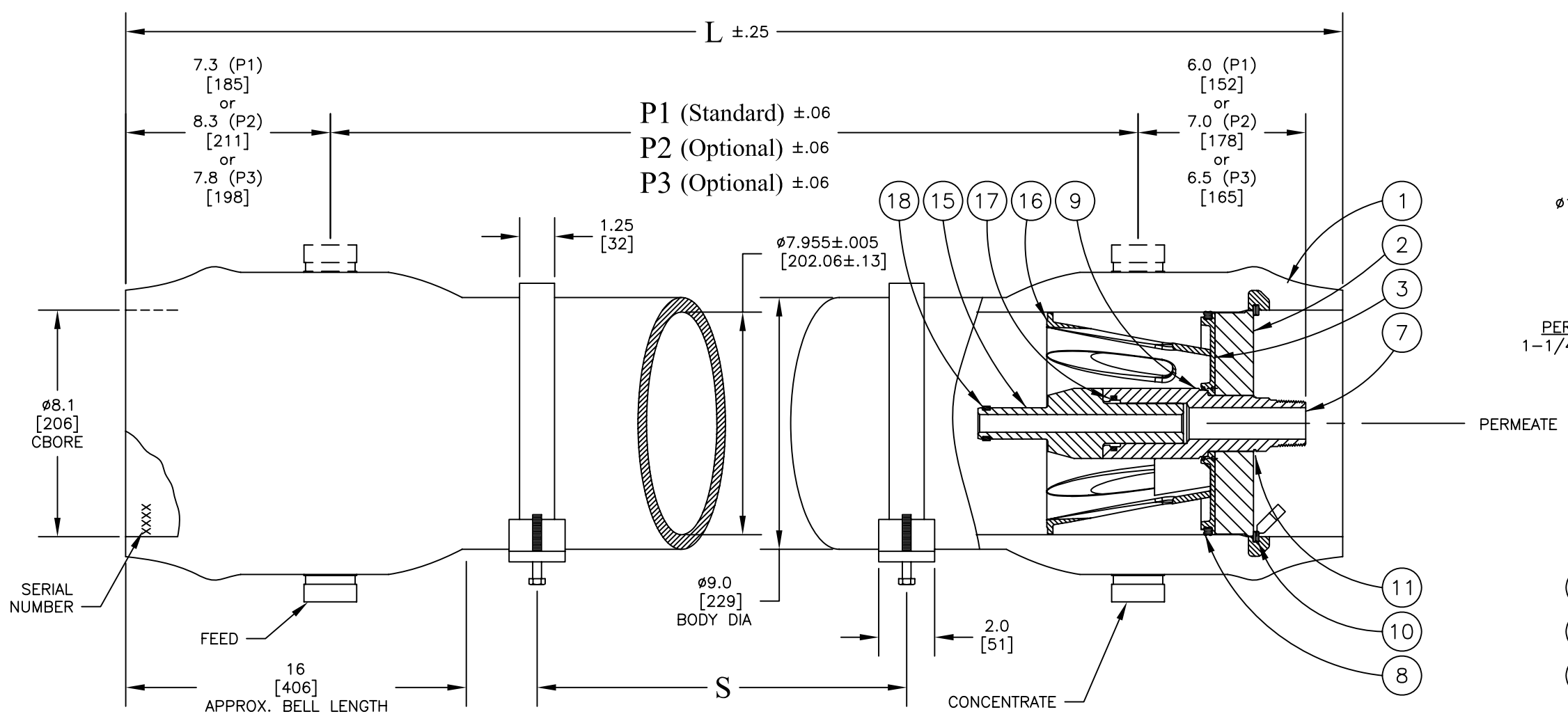


Design Pressure = 1200 PSI @ 120 °F  
 Min. Design Temperature = 20 °F @ 1200 PSI  
 Hydrotest Pressure = 1320 PSI

**1200 PSI**  
 SIDE PORT



Shell Length Code	L inch (mm)	P1 Standard inch (mm)	P2 Optional inch (mm)	P3 Optional inch (mm)	S Span in (mm)	Empty Weight lb (kg)
-1	61.6 [1564.64]	47 [1193.80]	45 [1143.00]	46 [1168.40]	1 @ 28 [711.20]	140 [64]
-1.5	81.6 [2072.64]	67 [1701.80]	65 [1651.00]	66 [1676.40]	1 @ 42 [1066.80]	166 [75]
-2	101.6 [2580.64]	87 [2209.80]	85 [2159.00]	86 [2184.40]	1 @ 56 [1422.40]	192 [87]
-3	141.6 [3596.64]	127 [3225.80]	125 [3175.00]	126 [3200.40]	1 @ 80 [2032.00]	245 [111]
-4	181.6 [4612.64]	167 [4241.80]	165 [4191.00]	166 [4216.40]	2 @ 64 [1625.60]	298 [135]
-5	221.6 [5628.64]	207 [5257.80]	205 [5207.00]	206 [5232.40]	2 @ 78 [1981.20]	351 [160]
-6	261.6 [6644.64]	247 [6273.80]	245 [6223.00]	246 [6248.40]	2 @ 92 [2336.80]	404 [184]
-7	301.6 [7660.64]	287 [7289.80]	285 [7239.00]	286 [7264.40]	2 @ 106 [2692.40]	457 [208]
-7.5	321.6 [8168.64]	307 [7797.80]	305 [7747.00]	306 [7772.40]	2 @ 114 [2895.60]	483 [220]
-8	341.6 [8676.64]	327 [8305.80]	325 [8255.00]	326 [8280.40]	2 @ 120 [3048.00]	510 [232]

ITEM	QTY	P/N	DESCRIPTION	MATERIAL
1	1	4080023	Shell	Filament Wound, Epoxy FRP
2	2	4080034	Bearing Plate	6061-T6 Aluminum, SB-221, Anodized
3	2	4080177-2	Sealing Plate	Thermoplastic
4	2	4080234	Feed/Concentrate Port	SST Super Duplex, SA-790
5	4	6121187	Retaining Ring, F/C Port	Stainless Steel, 316
6	2	6184604-N	Seal, F/C Port	Ethylene Propylene
7	2	4080308	Permeate Port	Noryl GFN2
8	2	6100442MK	Head Seal	Ethylene Propylene
9	2	6110229-N	Permeate Port Seal	Ethylene Propylene
10	2	4080320	Retaining Ring w/ Finger Pull	Stainless Steel, 316
11	2	6121200	Retaining Ring, Permeate Port	Stainless Steel, 300 Series
12	2*	4080175	Support Saddle	Thermoplastic Rubber
13	2	4080137	Strap Assembly	Stainless Steel, 300 Series
14	4	6150001	Strap Screw	Stainless Steel, 18-8
15	2	A/R	Adapter	Thermoplastic
16	1	4080165-1	Thrust Cone	PVC Thermoplastic
17	2	6110326-N	Adapter Seal	Ethylene Propylene
18	A/R	A/R	PWT Seal	Ethylene Propylene

\*3 each with shell length -4 and longer

**NOTES:**  
 DIMENSIONS IN INCHES (MM APPROX.)  
 FOR REFERENCE ONLY, NOT FOR CONSTRUCTION UNLESS CERTIFIED  
 SHIMMING OF THE SADDLES MAY BE REQUIRED  
 CENTER VESSEL ON 2 SUPPORTS AT SPAN(S) "S". OPTIONAL 3 POINT SUPPORT QUOTED SEPARATELY FOR SHELL LENGTHS -4 AND LONGER.  
 INCORRECT MANIFOLDING WILL CAUSE SEVERE LOCAL STRESS AROUND PORT AND MAY RESULT IN LEAKS AND PREMATURE FAILURE. TAKE EVERY PRECAUTION LISTED IN THIS PACKET.  
 INTERNAL PERMEATE PRESSURE MUST NOT EXCEED 125 PSI.  
 ASME SECTION X, RP CODE STAMP OPTIONAL  
 SPECIFICATIONS SUBJECT TO CHANGE WITHOUT NOTICE



**PRO 8-1200-SP**

ENGR EB 06/08/07	ECO	REVISED 04/01/09	DRAWING 101006	REV N
QLTY				
MRKT	ECO 09016	REVISED 04/01/09	DRAWING 101006	REV N