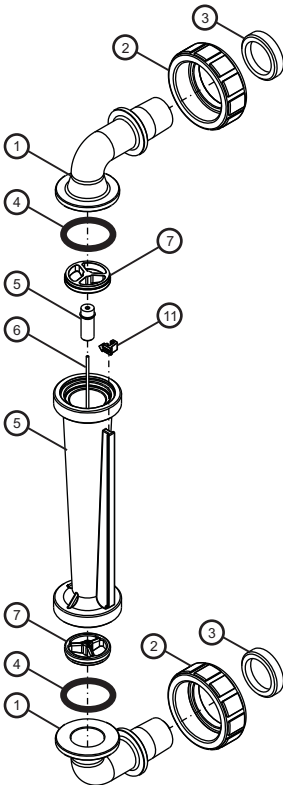
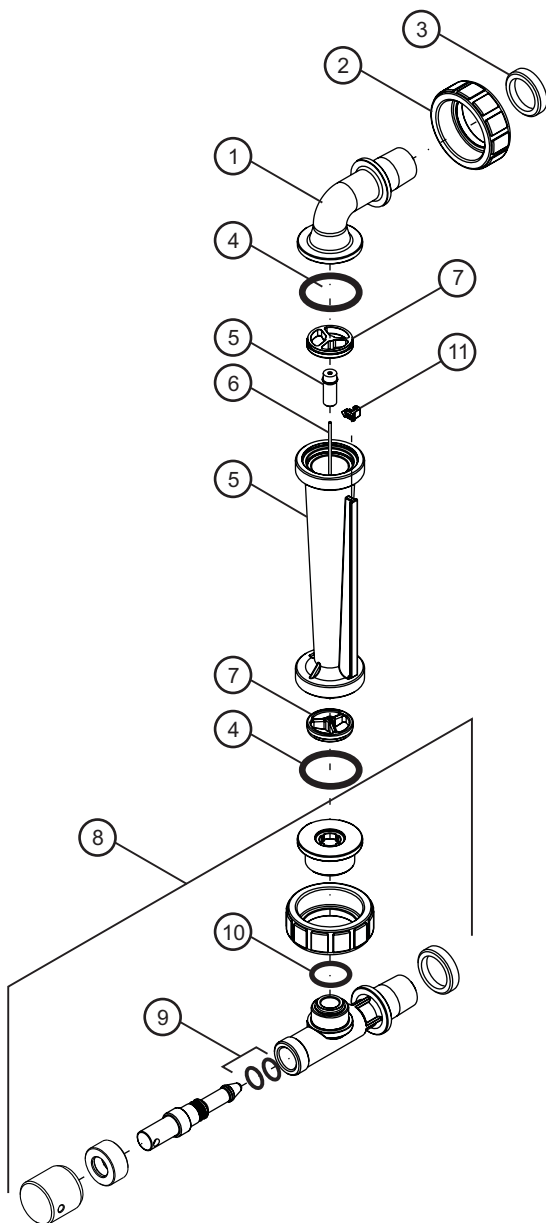


F-440E - Elbow (Panel Mount)

No.	Part No.	Desc.
1	F-44N40	3/8" Male NPT 90° Elbow, Polysulfone
	F-44N20	1/2" Male NPT 90° Elbow, Polysulfone
	F-44N21	3/4" Male NPT 90° Elbow, Polysulfone
2	F-44N05	3/8" and 1/2" Half Union, Nylon
	F-44N06	3/4" Half Union, Nylon
3	F-4427A	3/8" and 1/2" Panel mount lock nut
	F-4428A	3/4" Panel mount lock nut
4	90003-152	3/8" and 1/2" O-ring seal, Viton
	90003-153	3/8" and 1/2" O-ring seal, EP
	90003-082	3/4" O-ring seal, Viton
	90003-039	3/4" O-ring seal, EP
5	N/A	Meterbody and Float not sold separately
6	F-44N14	3/8" & 1/2" Guide Rod, 316 SS
	F-44N15	3/4" Guide, 316 SS
	F-44N14H	3/8" & 1/2" Guide Rod, Hastelloy C-276
	F-44N15H	3/4" Guide Rod, Hastelloy C-276
7	F-45N007	3/8" and 1/2" Guide Rod holder, Polysulfone
	F-45N019	3/4" Guide Rod holder, Polysulfone
11	F-45N043	Indicator, Red



F-440A - Adjustable (Panel Mount)



F-440A - Adjustable (Panel Mount)

No.	Part No.	Desc.
1	F-44N40	3/8" Male NPT 90° Elbow, Polysulfone
	F-44N20	1/2" Male NPT 90° Elbow, Polysulfone
	F-44N21	3/4" Male NPT 90° Elbow, Polysulfone
2	F-44N05	3/8" and 1/2" Half Union, Nylon
	F-44N06	3/4" Half Union, Nylon
3	F-4427A	3/8" and 1/2" Panel mount lock nut
	F-4428A	3/4" Panel mount lock nut
4	90003-152	3/8" and 1/2" O-ring seal, Viton
	90003-153	3/8" and 1/2" O-ring seal, EP
	90003-082	3/4" O-ring seal, Viton
	90003-039	3/4" O-ring seal, EP
5	N/A	Meter body and Float not sold separately
6	F-44N14	3/8" & 1/2" Guide Rod, 316 SS
	F-44N15	3/4" Guide, 316 SS
	F-44N14H	3/8" & 1/2" Guide Rod, Hastelloy C-276
	F-44N15H	3/4" Guide Rod, Hastelloy C-276
7	F-45N019	3/4" Guide Rod holder, Polysulfone
	F-45N007	3/8" and 1/2" Guide Rod holder, polysulfone
8	F-44N40-1	3/8" M/NPT Valve Assm. Sm, Poly, Viton seal
	F-44N40-2	1/2" M/NPT Valve Assm. Sm, Poly, Viton seal
	F-45N031-1	3/8" M/NPT Valve Assm. large, Poly, Viton Seals
	F-45N031-2	1/2" M/NPT Valve Assm. large, Poly, Viton Seals
	F-45N031-3	3/4" M/NPT Valve Assm. large, Poly, Viton Seals
9	90003-010	O-ring, Viton
	90003-009	O-ring, EP
10	90003-018	O-ring, Viton
	90003-071	O-ring, EP
11	F-45N043	Indicator, Red

Distributed By:

**APPLIED
MEMBRANES INC.®**

Industry Leader in RO Expertise and Membrane Applications since 1983™

2450 Business Park Dr., Vista, CA 92081 ☎ (760) 727-3711 📠 (760) 727-4427

🌐 www.appliedmembranes.com ✉ sales@appliedmembranes.com

BLUE-WHITE INDUSTRIES LIMITED WARRANTY

FLOWMETERS are warranted to be free of defects in material and workmanship for up to 12 months from the date of factory shipment. Warranty coverage is limited to repair or replacement of the defective flowmeter only. Blue-White Industries does not assume responsibility for any other damage that may occur.

This warranty does not cover damage to the flowmeter that results from misuse or alterations, nor damage that occurs as a result of: meter misalignment, improper installation, over tightening, use of non- recommended chemicals, use of non-recommended adhesives or pipe dopes, excessive heat or pressure, or allowing the meter to support the weight of related piping. Flowmeters are tested and calibrated with water and air only. Although meters may be suitable for other chemicals, Blue-White cannot guarantee their suitability.

Flowmeters are repaired at the factory only. Call or write the factory to receive a Return Authorization Number, carefully pack the flowmeter to be returned, including a brief description of the problem. Note the RA number on the outside of the carton.

Blue-White®
Industries, Ltd.
