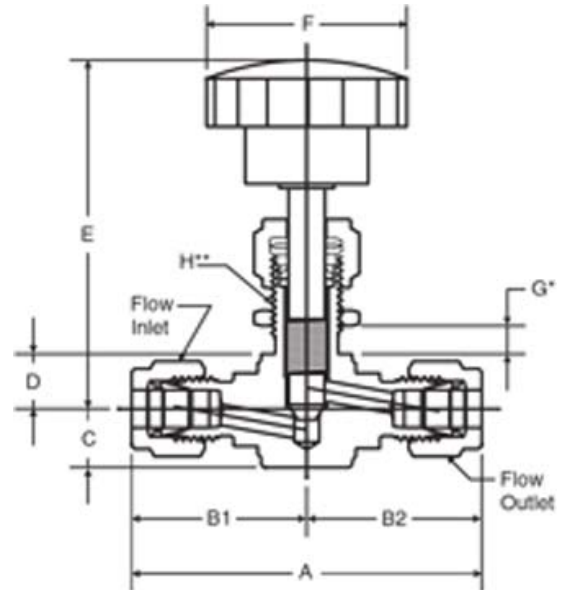


BRASS NEEDLE VALVES FOR COMMERCIAL RO SYSTEMS (SYSTEM CONTROL VALVES)

SPECIFICATIONS

| | B-626 | 651 |
|----------------------------|-------------------------|-------|
| End Connection Type | Fractional Tube Fitting | |
| End Connection Inlet Size | 3/8" | 1/2" |
| End Connection Outlet Size | 3/8" | 1/2" |
| Orifice | 0.250 | 0.250 |
| A | 2.58 | 2.80 |
| B1 | 1.29 | 1.40 |
| B2 | 1.29 | 1.40 |
| C | 0.44 | 0.44 |
| D | 0.44 | 0.44 |
| E | 3.15 | 3.15 |
| F | 1.75 | 1.75 |
| G | 0.38 | 0.38 |
| H | 25/32 | 25/32 |



B-626



B-651