

TC-GB VALVE

200 WOG GLOBE VALVE, THREADED

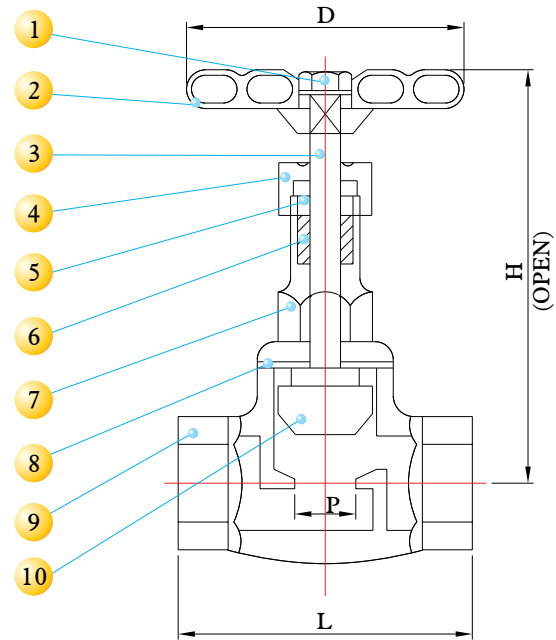


DESIGN FEATURES:

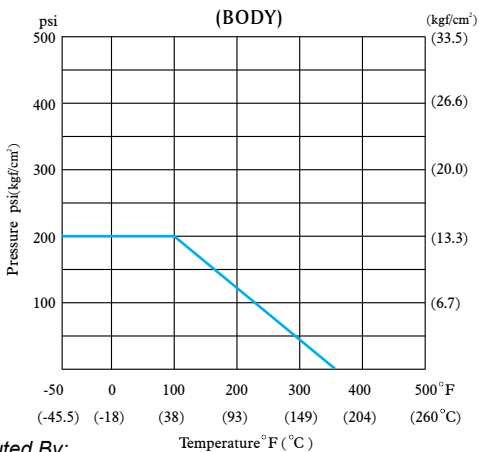
- Rising Stem And Wheel
- Body: ASTM A351 Gr.CF8M
- Disc: ASTM A351 Gr.CF8M
- Seat: SS 316
- Packing: PTFE
- Working Pressure: 200 psi
- TEST STANDARD: API 598
- End Connections: Threaded End
- Threaded Type:
ANSI B1.20.1 (NPT)
DIN 259/DIN 2999
ISO 228
BSP
PT

MATERIALS LIST

NO.	PART NAME	MATERIAL	Q'TY
1	NUT	SS304	1
2	HANDWHEEL	SS400	1
3	STEM	ASTM A276 Gr.316	1
4	GLAND NUT	ASTM A351 Gr.CF8M	1
5	GLAND	ASTM A351 Gr.CF8M	1
6	GLAND PACKING	PTFE	1
7	BONNET	ASTM A351 Gr.CF8M	1
8	GASKET	PTFE	1
9	BODY	ASTM A351 Gr.CF8M	1
10	DISC	ASTM A351 Gr.CF8M	1



PRESSURE TEMPERATURE RATINGS



DIMENSIONS

SIZE		D		L		H		P		Cv Factor	Weight	
inch	mm	inch	mm	inch	mm	inch	mm	inch	mm		Kg	Lb
1/4"	8	2.36	60.0	2.05	52.0	4.02	102	0.39	10	1.0	0.33	0.73
3/8"	10	2.36	60.0	2.05	52.0	4.02	102	0.47	12	1.5	0.31	0.68
1/2"	15	2.76	70.0	2.60	66.0	3.74	95	0.47	12	2.5	0.42	0.93
3/4"	20	2.76	70.0	2.70	68.5	3.90	99	0.59	15	5.6	0.46	1.01
1"	25	3.01	76.5	3.08	78.3	4.02	102	0.79	20	10.5	0.62	1.37
1 1/4"	32	4.07	103.5	3.39	86.0	4.96	126	0.98	25	17.0	1.05	2.31
1 1/2"	40	4.07	103.5	3.86	98.0	5.35	136	1.30	33	25.0	1.40	3.08
2"	50	4.76	121.0	4.35	110.5	6.14	156	1.57	40	46.0	2.10	4.63

Distributed By:

APPLIED MEMBRANES INC.®