

4FOS and 5FOS Series

Multi-Cartridge Filter Housings



- Designed for general purpose industrial and commercial filtration needs
- Heavy-duty 304L or 316L stainless steel construction for maximum durability and corrosion resistance
- V-band clamp or swing bolt closures for quick and easy cartridge change outs and secure sealing
- Holds four or five cartridges from 10" to 40" lengths for optimal choice of flow rates
- Accepts double open-ended (DOE) style cartridges (222 and 226 style adapters are optional)
- Knife edge seals eliminate bypass on DOE cartridge
- Adjustable top plate accepts variable length cartridges
- Wide range of options to meet specific filtration and installation requirements

Applications

Water	Desalination
Chemicals	Food & Beverage
Electronics	Oil / Gas
Power	Inks / Paints / Coatings
Coolants	Pulp & Paper

Specifications & Operating Parameters

Maximum Operating Pressure

150 psig (10.3 bar) @ 300°F (149°C)

Inlet and Outlet Connections

Inlet /Outlet: 2" MNPT

Drain Ports: 1/2" FNPT

Vent Ports: 1/4" FNPT

*Optional: MNPT, FNPT and BSP fittings,
RF flanges, Sanitary ferrules and Grooved fittings*

Materials of Construction

Head and Shell: 304L or 316L Stainless Steel

Connections: 304L or 316L Stainless Steel

Closure: Clamp: 304L Stainless steel

Swing Bolts: Zinc Plated Steel

Vent and Drain Plugs: 304L or 316L Stainless Steel

Gaskets

Buna N (FDA Grade)

Optional: EPR, Silicone, Viton or Teflon

Encapsulated Silicone

Finish

Poly-coat on exterior surfaces

Optional: Electro-polish, Glass bead or Passivate

Cartridge Type

DOE style cartridges (maximum 2 3/4" OD)

Optional: 222 and 226 adapters

Custom Options

- Gauge Ports or Gauge Ports with Pressure Gauges

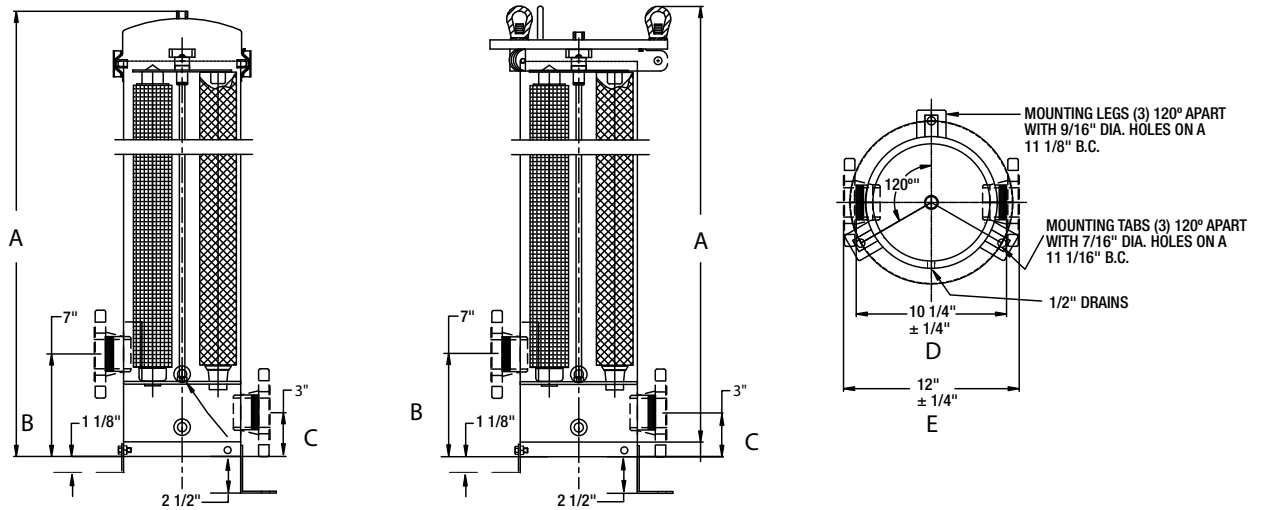
- Mounting Tabs, Mounting Legs or Heavy Duty Mounting Legs

See Ordering Guide for complete selection of options

MODEL	QUANTITY (LENGTH) OF CARTRIDGES +	RATED FLOW CAPACITY* GPM(LPM)	MAXIMUM DIAMETER CARTRIDGE	CLAMP STYLE	SWING BOLT STYLE				
				A	A	B	C	D	E
4FOS1/5FOS1	4/5 (10")	28 (106) / 35 (132)	2 3/4"	20 7/8" (53.0 cm)	22 1/4" (56.3 cm)	7" (17.8 cm)	3" (7.6 cm)	10 1/4" (26.0 cm)	12" (30.46 cm)
4FOS2/5FOS2	4/5 (20")	56 (212) / 70 (265)	2 3/4"	30 7/8" (78.4 cm)	32 1/4" (81.9 cm)	7" (17.8 cm)	3" (7.6 cm)	10 1/4" (26.0 cm)	12" (30.46 cm)
4FOS3//5FOS3	4/5 (30")	84 (318) / 105 (397)	2 3/4"	40 7/8" (103.8 cm)	42 1/4" (107.3 cm)	7" (17.8 cm)	3" (7.6 cm)	10 1/4" (26.0 cm)	12" (30.46 cm)
4FOS4/5FOS4	4/5 (40")	112 (424) / 140 (530)	2 3/4"	50 7/8" (129.2 cm)	52 1/4" (132.7 cm)	7" (17.8 cm)	3" (7.6 cm)	10 1/4" (26.0 cm)	12" (30.46 cm)

+ Housings will accept cartridge lengths: 10" = (9 3/4" or 10"), 20" = (19 1/2" or 20"), 30" = (29 1/4" or 30") and 40" = (39" or 40")

* Based upon 7 gpm per 10" length with a 25 micron wound cartridge at 2 PSID clean and viscosity of 1 cps. Flow rates are for guidelines only. Actual flow rates are based on fluid, viscosity, cartridge type, micron ratings and other factors.



Ordering Guide (Example: 4FOS3SB-316-226-2MNPT-ML-B)

MODEL	LENGTH OF CARTRIDGES	CLOSURE STYLE	MATERIAL	CARTRIDGE CONFIGURATION	CONNECTION SIZE	CONNECTION TYPE	OPTIONS	GASKET
4FOS 5FOS	1 = 1 High 2 = 2 High 3 = 3 High 4 = 4 High	C = Clamp SB = Swing Bolt	304 = 304L 316 = 316L	Blank=DOE Cartridges (Standard) 222 = 222 Fin/Flat Style Cartridges 226 = 226 Fin/Flat Style Cartridges	2 (standard) 1.5	MNPT = Male Pipe Thread (Standard) FNPT = Female Couplings + BSPT = BSP Tapered + BSPP = BSP Parallel + F = Flange TC = Ferrules GF = Grooved Fittings	TABS = Mounting Tabs ML = Mounting Legs OL = Heavy Duty Legs GP = Gauge Ports GPA = Gauge ports with Gauges EP = Electropolished GB = Glass Bead P = Passivate	B = Buna N (Standard) E = EPR S = Silicone V = Viton TS = Teflon Encapsulated Silicone

+ Available only in 2" connection size

Customization

Housings may be customized to meet your precise requirements. Contact Shelco's technical support staff or your distributor for more information.



Distributed By:

**APPLIED
MEMBRANES INC.®**

Industry Leader in RO Expertise and Membrane Applications since 1983™

2450 Business Park Dr., Vista, CA 92081 ☎ (760) 727-3711 📠 (760) 727-4427
 🌐 www.appliedmembranes.com ✉ sales@appliedmembranes.com