

# STA-RITE® PN Series

Corrosion-resistant self-priming shallow well jet pumps



**PN Series Shallow Well Jet Pumps are corrosion- and abrasion-resistant and are ideal for wells with pumping levels of 25' or less.**

**Self-priming after the pump housing is initially filled with water.**

**Capacities to 18 GPM. Available in 1/2, 3/4 and 1 HP models.**

**Supplied with the industry standard 30-50 pressure switch setting.**

## APPLICATIONS

Water Systems  
 Booster Pump  
 Marine Use  
 Mist Sprayers – Poultry  
 Fountains and Water Features

## SPECIFICATIONS

**Body and Seal Plate:** Fiberglass-reinforced thermoplastic  
**Impeller:** Engineered polymer  
**Base:** 12-gauge steel  
**Nozzle, Venturi, Diffuser:** Polypropylene

## FEATURES

**Quality Construction:** Fiberglass-reinforced thermoplastic body provides total corrosion resistance and high resistance to abrasion.

**Built-in Jet:** Shallow-well jet has corrosion-resistant polypropylene nozzle and venturi.

**Impeller:** Precision-molded for perfect balance...ultra-smooth for highest performance and efficiency.

**Precision-Molded Diffuser:** Polypropylene diffuser allows pump to prime faster, handle more air.

**Heavy-Duty Motor:** Stainless steel shaft and dual heavy-duty ball bearings.

**Heavy-Duty Ball Bearings:** Shielded, permanently lubricated bearings, extensively tested to ensure extended life and smooth, quiet operation.

**Dual Voltage Capability:** Dual voltage motors are shipped at the 230-volt setting.

**Professional Quality, Pre-set 30-50 PSI:** Allows for cut-in pressure adjustments.

**New Nozzle Cleanout:** Easy plug removal and access for ease of service.

**New Drain Plug:** Bottom-mounted for easy draining and winterization.

## ORDERING INFORMATION

CATALOG NUMBER	HP	DESCRIPTION	PIPE TAPPING SIZES		MOTOR VOLTAGE	APPROX. WT. LBS./KG
			SUCTION	DISCHARGE		
PNC	1/2	Shallow Well Jet	1-1/4"	1"	115/230	21/9.5
PND	3/4	Shallow Well Jet	1-1/4"	1"	115/230	24/11
PNE	1	Shallow Well Jet	1-1/4"	1"	115/230	26/12



Distributed By:

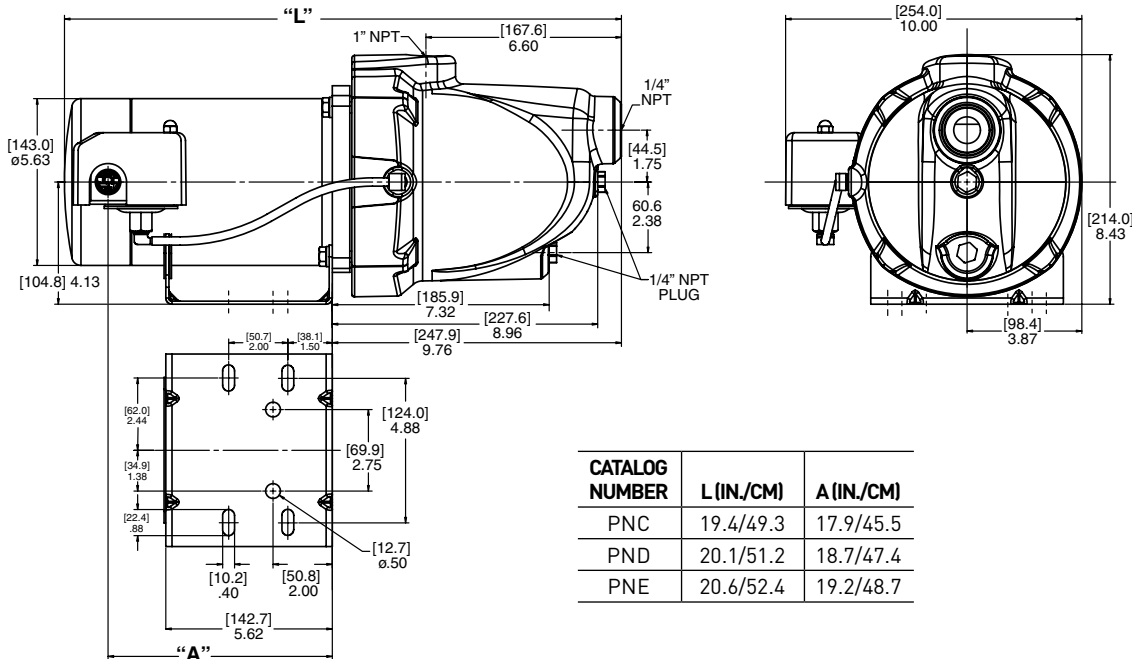
**APPLIED MEMBRANES INC.®**

2450 Business Park Dr. Vista, CA 92081 ☎ (760) 727-3711 📠 (760) 727-4427  
 🌐 www.appliedmembranes.com ✉ sales@appliedmembranes.com

# STA-RITE® PN Series

Corrosion-resistant self-priming shallow well jet pumps

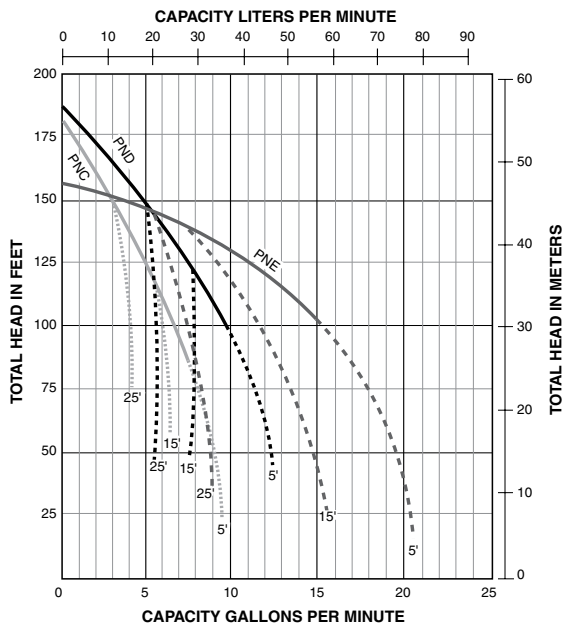
## OUTLINE DIMENSIONS



CATALOG NUMBER	L (IN./CM)	A (IN./CM)
PNC	19.4/49.3	17.9/45.5
PND	20.1/51.2	18.7/47.4
PNE	20.6/52.4	19.2/48.7

Dimensions (in inches) are for estimating purposes only.

## PUMP PERFORMANCE: 10 GPM



## PUMP PERFORMANCE (Capacity in gallons/liters per minute)

CATALOG NUMBER	HP	TOTAL SUCTION LIFT FT./M	DISCHARGE PRESSURE PSI/BAR			SHUT-OFF PSI/BAR
			30/2.1	40/2.8	50/3.5	
PNC	1/2	5/1.5	8.5/32.2	7.4/28.0	5.2/19.7	77/5.30
		10/3.0	7.1/26.9	6.4/24.2	5.1/19.3	
		15/4.6	6.5/24.6	6.1/23.1	4.5/17.0	
		20/6.1	5.4/20.4	5.1/19.3	4.1/15.5	
PND	3/4	5/1.5	12.1/45.8	10.7/40.5	8.5/32.2	78/5.37
		10/3.0	10.7/40.5	10.2/38.6	8.4/31.8	
		15/4.6	9.0/34.1	8.5/32.2	8.1/30.7	
		20/6.1	7.6/28.8	7.3/27.6	7.1/26.9	
PNE	1	5/1.5	18.0/68.1	16.8/63.6	13.5/51.1	67/4.62
		10/3.0	17.1/64.7	16.1/60.9	13.4/50.7	
		15/4.6	14.9/56.4	14.4/54.5	13.0/49.2	
		20/6.1	12.6/47.7	12.2/46.2	12.0/45.4	
		25/7.6	8.8/33.3	8.5/32.2	8.1/30.7	

Pumps will operate at all depths shown, with pressure switch set at 30-50 PSI. Tested and rated in accordance with Water Systems Council Standards.

NOTE: Pumps installed with a Pro-Source® tank require a 100 PSI relief valve. Pumps installed with a conventional tank require a 75 PSI relief valve. Relief valve must be capable of relieving entire flow of pump at relief pressure.



Because we are continuously improving our products and services, Pentair reserves the right to change specifications without prior notice.

S4507WS (05/20/13)

Distributed By:

**APPLIED MEMBRANES INC.®**

2450 Business Park Dr. Vista, CA 92081 ☎ (760) 727-3711 📠 (760) 727-4427  
 🌐 www.appliedmembranes.com ✉ sales@appliedmembranes.com