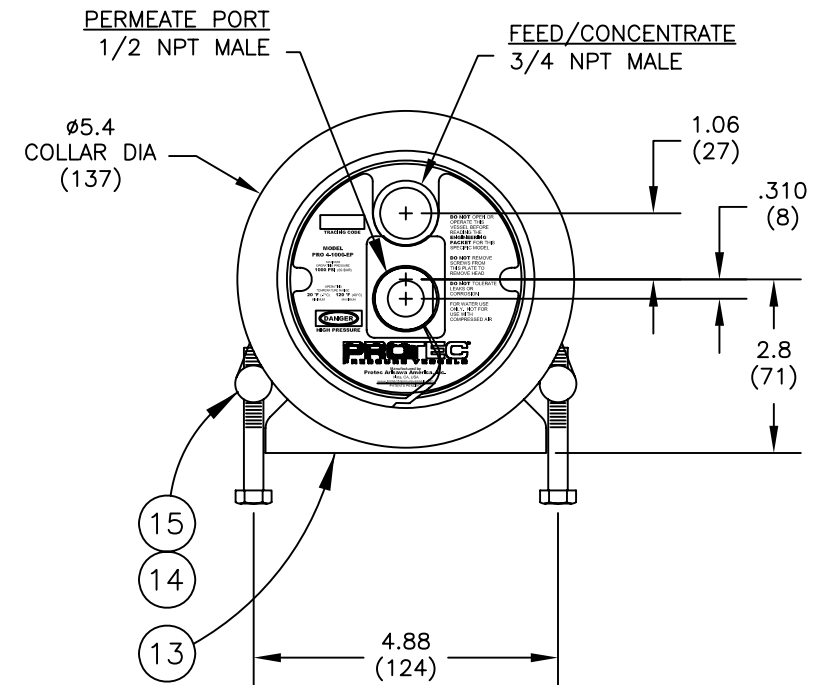
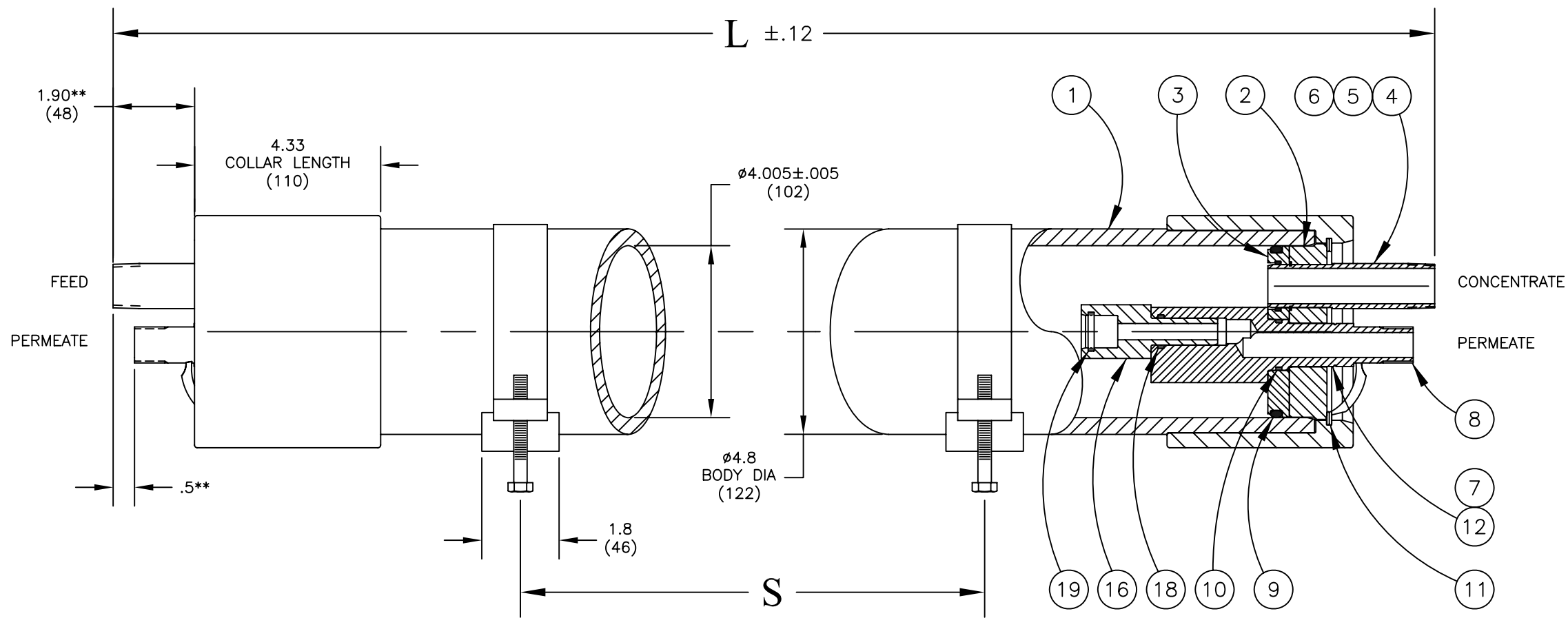


**1000 PSI
END PORT**



Shell Length Code	L 3/4" NPT Feed inch (mm)	L 3/4" Grooved Feed inch (mm)	S Span in (mm)	Empty Weight lb (kg)
-1	55 (1397)	59 (1499)	28 (711)	28 (13)
-2	95 (2413)	99 (2515)	51 (1295)	43 (20)
-3	135 (3429)	139 (3531)	73 (1854)	58 (26)
-4	175 (4445)	179 (4547)	95 (2413)	73 (33)
-5	215 (5461)	219 (5563)	117 (2972)	88 (40)
-6	255 (6477)	259 (6579)	140 (3556)	103 (47)

** 3/4" NPT feed port shown. Add 2" for 3/4" grooved feed port

ITEM	QTY	P/N	DESCRIPTION	MATERIAL
1	1	3040008	Shell	Filament Wound, Epoxy FRP
2	2	4040011	Bearing Plate	6061-T6 Aluminum, SB-221, Anodized
3	2	4040012-1	Sealing Plate	PVC Thermoplastic
4	2	4040014-2	Feed/Concentrate Port	Super Duplex
5	2	6121100	Retaining Ring, F/C Port	Stainless Steel, 300 Series
6	2	6180120	Seal, F/C Port, O-Ring	Ethylene Propylene
7	2	4040019-3	Clocking Tab	Thermoplastic
8	2	4040063-1	Permeate Port	PVC Thermoplastic
9	2	6180342	Head Seal, O-Ring	Ethylene Propylene
10	2	6180120	Permeate Port Seal, O-Ring	Ethylene Propylene
11	2	4040079	Retaining Ring w/ Finger Pull	Stainless Steel, 316 Series
12	2	6121100	Retaining Ring, Permeate Port	Stainless Steel, 300 Series
13	2	4040037	Support Saddle	Polyurethane
14	2	4040040	Strap Assembly	Stainless Steel, 300 Series
15	4	6150001	Strap Screw	Stainless Steel, 300 Series
16	2	A/R	Adapter	PET Thermoplastic
17				
18	2	6180114	Adapter Seal, O-Ring	Ethylene Propylene
19	2	A/R	PWT Seal, O-Ring	Ethylene Propylene

NOTES:

DIMENSIONS IN INCHES (MM APPROX.)

FOR REFERENCE ONLY, NOT TO BE USED FOR CONSTRUCTION UNLESS CERTIFIED

CENTER VESSEL ON 2 SUPPORTS AT SPAN "S".

INCORRECT MANIFOLDING WILL CAUSE SEVERE LOCAL STRESS AROUND PORT AND MAY RESULT IN LEAKS AND PREMATURE FAILURE. TAKE EVERY PRECAUTION LISTED IN THIS PACKET.

INTERNAL PERMEATE PRESSURE MUST NOT EXCEED 125 PSI.

SPECIFICATIONS SUBJECT TO CHANGE WITHOUT NOTICE



www.protec-arisawa.com

PRO 4-1000-EP

ENGR AP 5/22/03
QLTY WJ 5/22/03
MRKT DWE 5/22/03

ECO 10119	REVISED 4/28/11	DRAWING 104006	REV K
--------------	--------------------	-------------------	----------