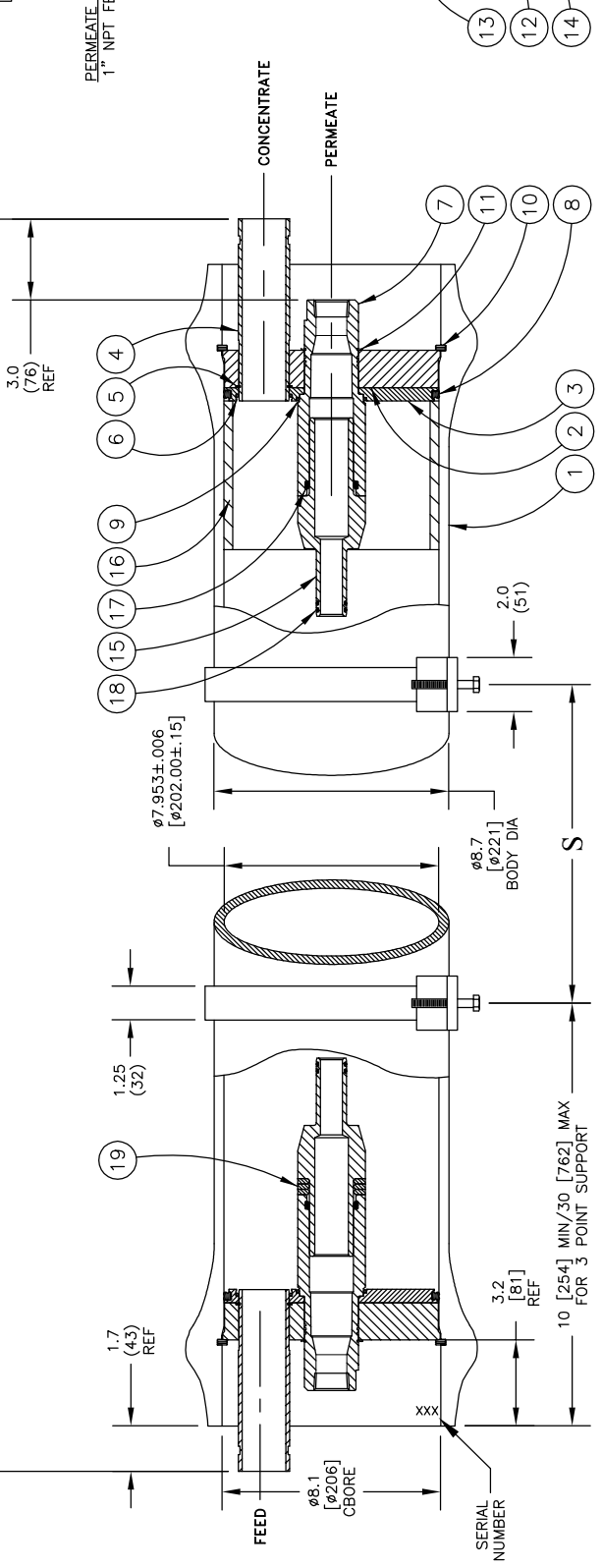
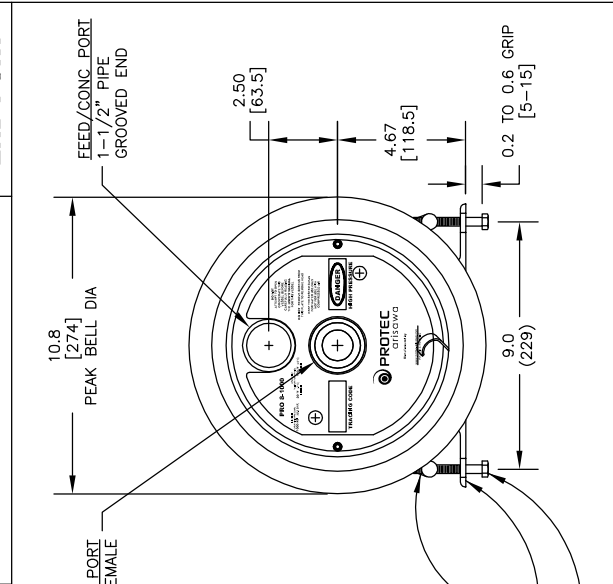


Design Pressure = 1000 PSI @ 120 °F
 Min. Design Temperature = 20 °F @ 1000 PSI
 Hydrotest Pressure = 1100 PSI

1000 PSI
 END PORT



NOTE: STANDARD PARTS ARE SHOWN FOR REFERENCE ONLY
 CHECK ORIGINAL ORDER FOR ORDERING SPARE PARTS

ITEM	QTY	PIN	DESCRIPTION	MATERIAL
1	1	4080005	Shell	Filament Wound, Epoxy FRP
2	2	4080033	Bearing Plate	6061-T6 Aluminum, SB-221, Anodized
3	2	4080065-1	Sealing Plate	PVC Thermoplastic
4	2	4080073-2	Feed/Concentrate Port	SST Super Duplex, SA-790
5	2	6121187	Retaining Ring, F/C Port	Stainless Steel, 316
6	2	6184604-N	O-Ring Seal, F/C Port	Ethylene Propylene
7	2	4080378	Permeate Port	Noryl GFNZ
8	2	6100442MK	Head Seal	Ethylene Propylene
9	2	6180229-N	Permeate Port Seal	Ethylene Propylene
10	2	4080320	Retaining Ring w/ Finger Pull	Stainless Steel, 316
11	2	6121200	Retaining Ring, Permeate Port	Stainless Steel, 316
12	2*	4080175	Support Saddle	Thermoplastic Rubber
13	2	4080137	Strap Assembly	Stainless Steel, 316
14	4	6150001	Strap Screw	Stainless Steel, 316
15	2	A/R	Adapter	Thermoplastic
16	1	4080109-1	Thrust Ring	PVC Thermoplastic
17	2	6180326-N	Adapter Seal	Ethylene Propylene
18	A/R	A/R	PWT Seal	Ethylene Propylene
19	3	4080062-4	Shim, Adapter	Noryl GFNZ

Shell Length Code	L	S	Empty Weight
-1	65 (1651)	34 (864)	82 (37)
-1.5	85 (2159)	45 (1143)	97 (44)
-2	105 (2667)	56 (1422)	112 (51)
-3	145 (3683)	80 (2032)	139 (63)
-4	185 (4699)	104 (2642)	170 (77)
-5	225 (5715)	128 (3251)	198 (90)
-6	265 (6731)	150 (3810)	227 (103)
-7	305 (7749)	3 PTS.	256 (116)
-7.5	325 (8257)	3 PTS.	271 (123)
-8	345 (8765)	3 PTS.	284 (129)

APPROVED	LS	7/05/12	CHECKED	BOA	7/05/12	ECO	REVISED	7/05/12	DRAWING	REV
LS	7/05/12			BOA	7/05/12	12056			101011	Q

PROTEC
 arisawa

PRO 8-1000-EP

INTERNAL PERMEATE PRESSURE MUST NOT EXCEED 125 PSI.
 ASME SECTION X, 2010
 RP CODE STAMP OPTIONAL
 SPECIFICATIONS SUBJECT TO CHANGE WITHOUT NOTICE